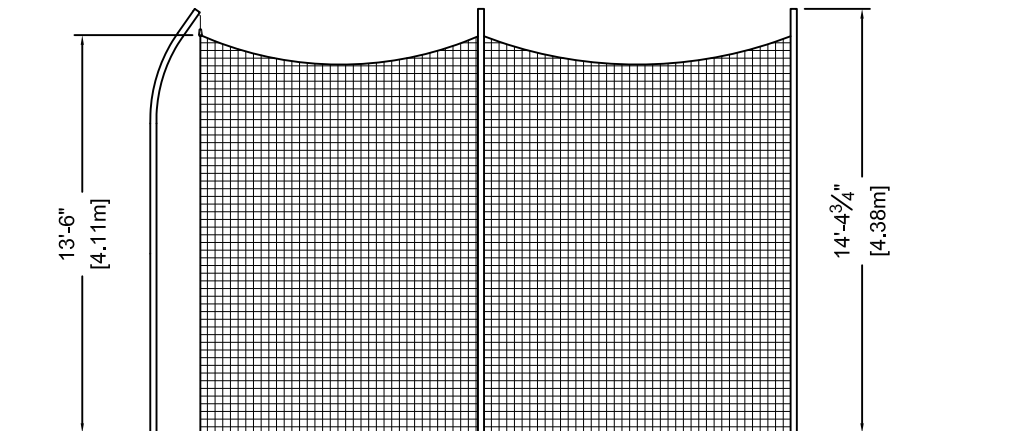
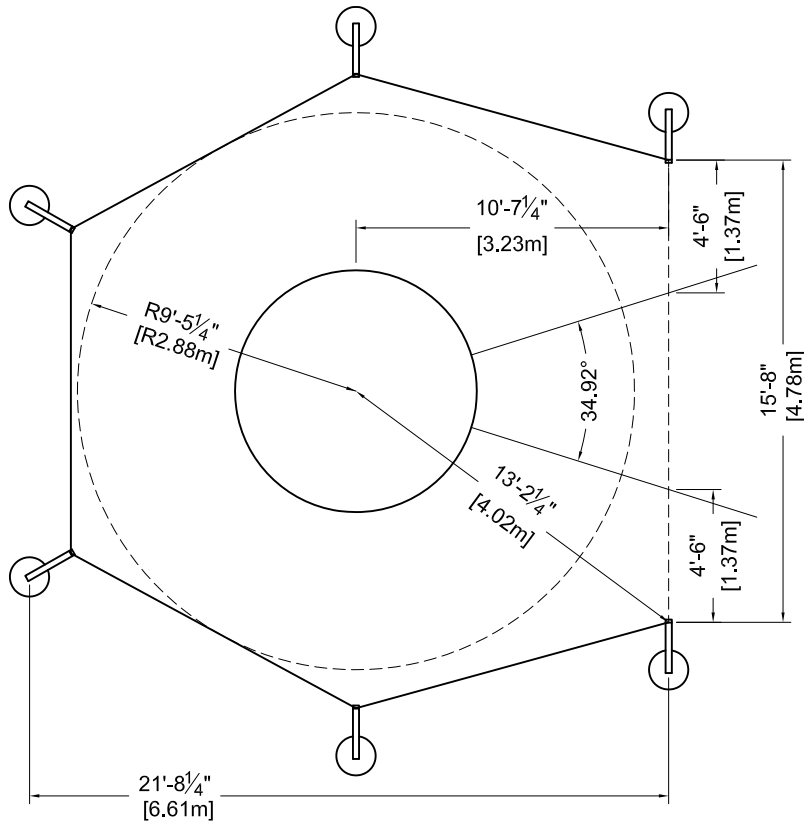




www.gillathletics.com
800-637-3090

8030 - HIGH SCHOOL DISCUS CAGE SPECIFICATIONS



The 8030 High School Competition Discus Cage consists of six painted steel net poles with ground sleeves, a vinyl coated net support cable to reduce net sag, and a weather treated nylon net. The poles are 14 gauge, 2 1/2" square steel tube finished with white powder coat paint. Each pole stands in a 20" deep ground sleeve. The net is 180 lb. test nylon which has been weather treated for longer life. Eighteen inch steel flip arms secure the 14' by 56' net at the front two poles with anchored eyebolts used at the back poles. An optional 8' tall barrier net is available with attaching hardware.



www.gillathletics.com
800-637-3090

8030 - HIGH SCHOOL DISCUS CAGE GROUND SLEEVE INSTALLATION

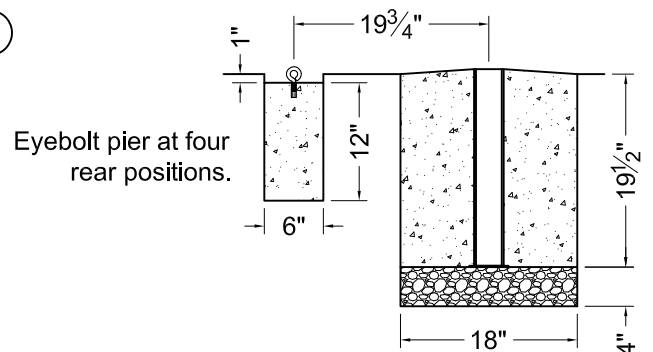
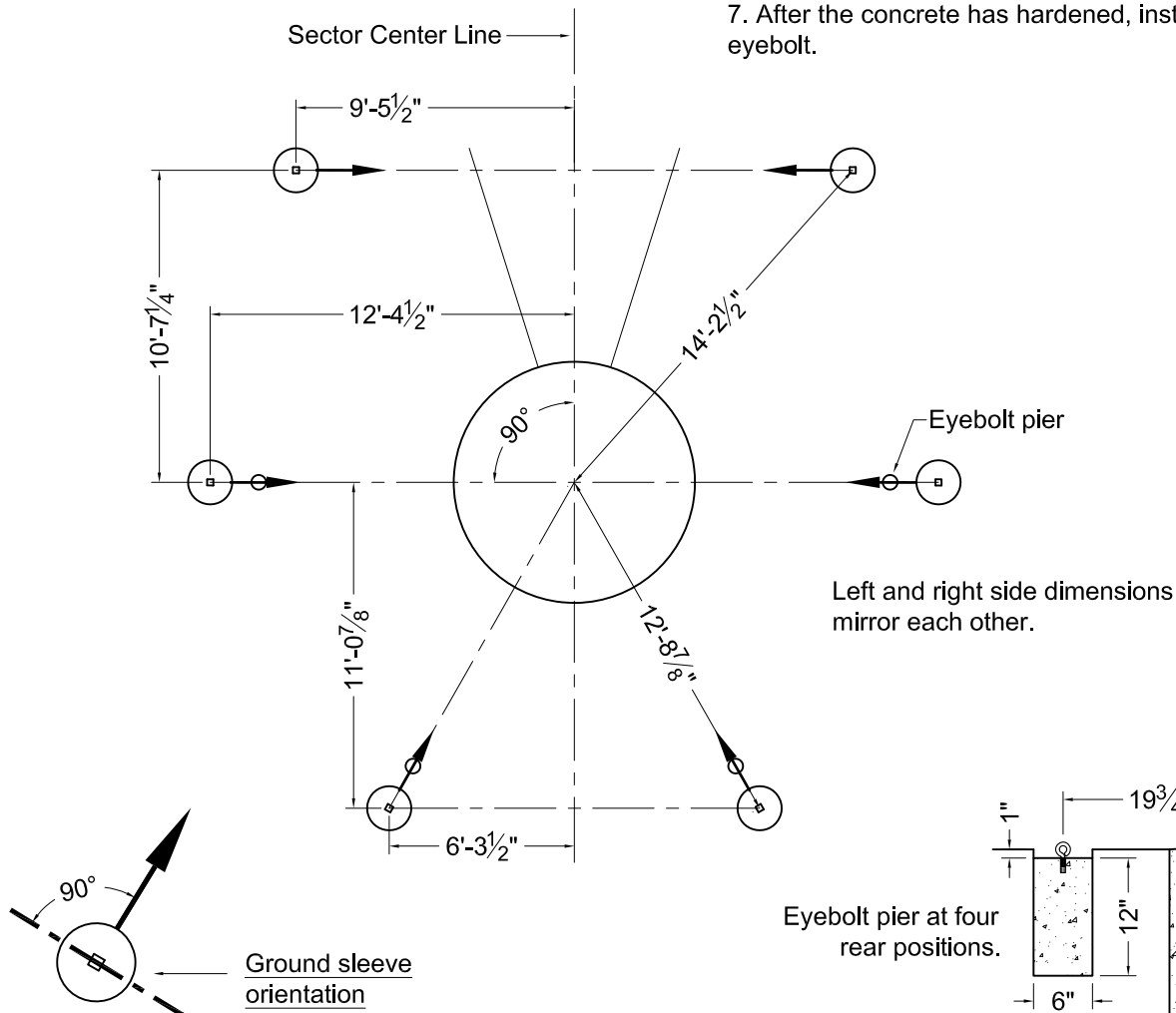
1. Stake out and mark with string the sector center line crossing the circle center. Stake out a second line perpendicular to the sector center line at the circle center. Measure and mark the sleeve centers for each post as shown below.
2. Dig six 24" deep holes at marked locations. The minimum recommended diameter of these holes is 18". Soil conditions at your sight may require larger diameter concrete bases for each pole.
3. Place approximately 4" of rock in the bottom of each hole. The rock should support the sleeve at the proper height and allow water in the sleeve to drain away.

4. Mark the hole centers with crossed strings. Set each ground sleeve in place so the top edge is 1/2" above the surrounding ground level. Position the sleeves so the poles will face in the directions indicated by the arrows as shown. As the sleeves must remain vertical, secure them in place with wire and short sections of rebar.

5. Carefully pour cement around the ground sleeves. Check with a level to ensure sleeves have remained vertical. The concrete should slope away from the top edges of the sleeves to ground level to help keep water and debris out of the sleeves.

6. At the rear pole positions, dig 6" diameter holes 13" deep. These holes need to be positioned as shown below. Pour concrete up to 1" below ground level.

7. After the concrete has hardened, install anchor and eyebolt.



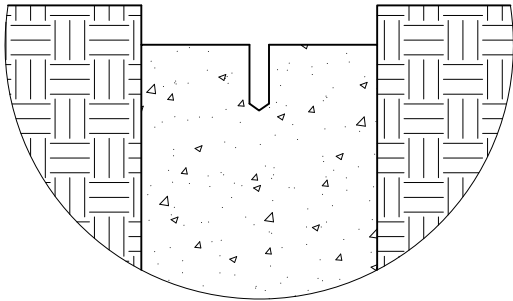
NOTICE: All installations should be conducted by experienced contractors and in accord with all applicable codes, laws and regulations. Suggested instructions herein are illustrative only and should be adapted to suit local requirements. Gill Athletics is not responsible for the manner in which these products are installed.



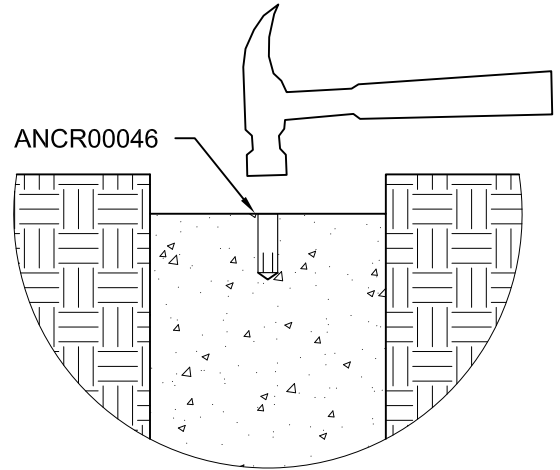
www.gillathletics.com
800-637-3090

DISCUS CAGE DROP IN CONCRETE ANCHOR INSTRUCTIONS

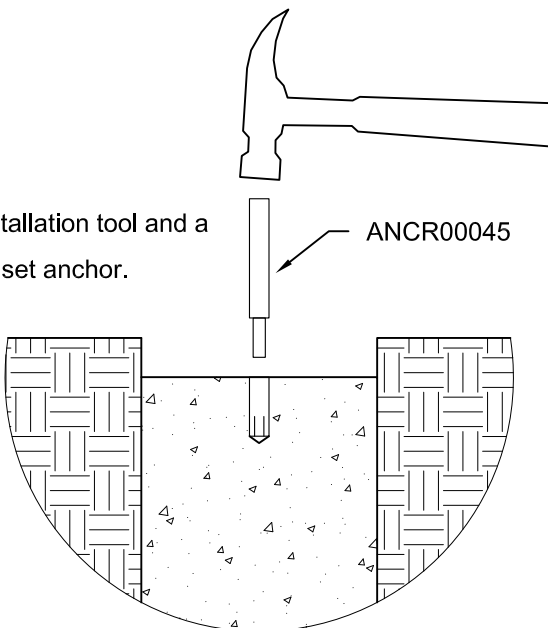
Drill a $\frac{1}{2}$ " diameter hole, $1\frac{1}{2}$ "
deep in the center of the pier.
Clean out hole with a vacuum.



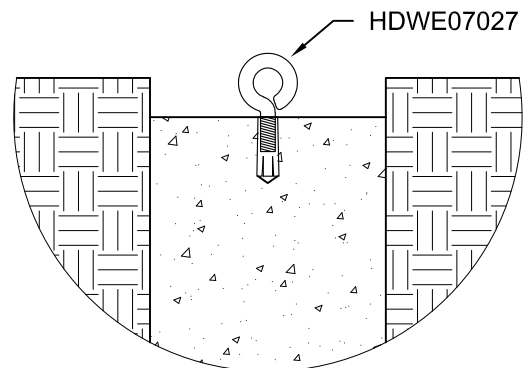
With the threaded opening pointing
up, insert the anchor into the hole.
Tap it down with a hammer.



Use the installation tool and a
hammer to set anchor.



Thread the eyebolt into the anchor.

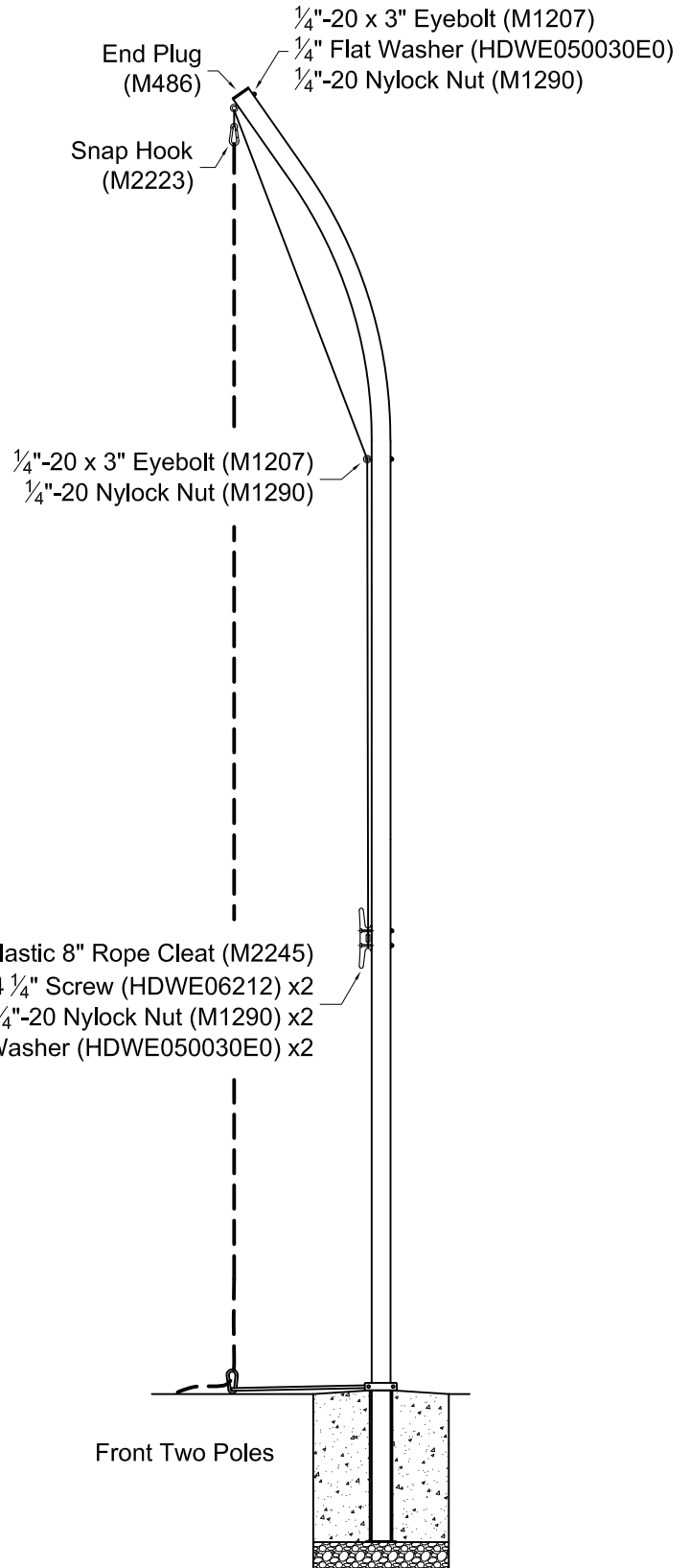




www.gillathletics.com
800-637-3090

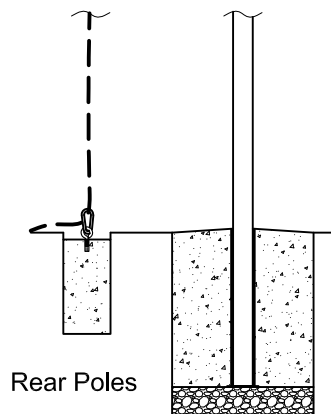
803020 - CAGE NET POLES NET POLE ASSEMBLY

1. Install the eyebolt at the top of the net pole. The gap in the eye of the bolt should face up.
2. Install the eyebolt at the lower hole.
3. Install the rope cleat with $\frac{1}{4}$ " hardware.
4. Tie one end of the rope to snap hook and feed the other through the eyebolt at the top then the lower eyebolt. Tie the loose end to the rope cleat to prevent the rope from being lost when lowering the net.
5. Insert the net pole into the ground sleeve so that the curve of the pole is towards the inside of the cage.
6. Install net flip arms (803043) on the front poles. After the net is raised, clip the bottom rope edge of the net to the end of the net flip arm.
7. Attach snap hooks (M2223) to the anchored eyebolts at the rear poles. After the net is raised, clip the bottom rope edge of the net to the eyebolts.



Ground Sleeve Caps are available but sold separately.

Works with Ground Sleeve Cap #P80306



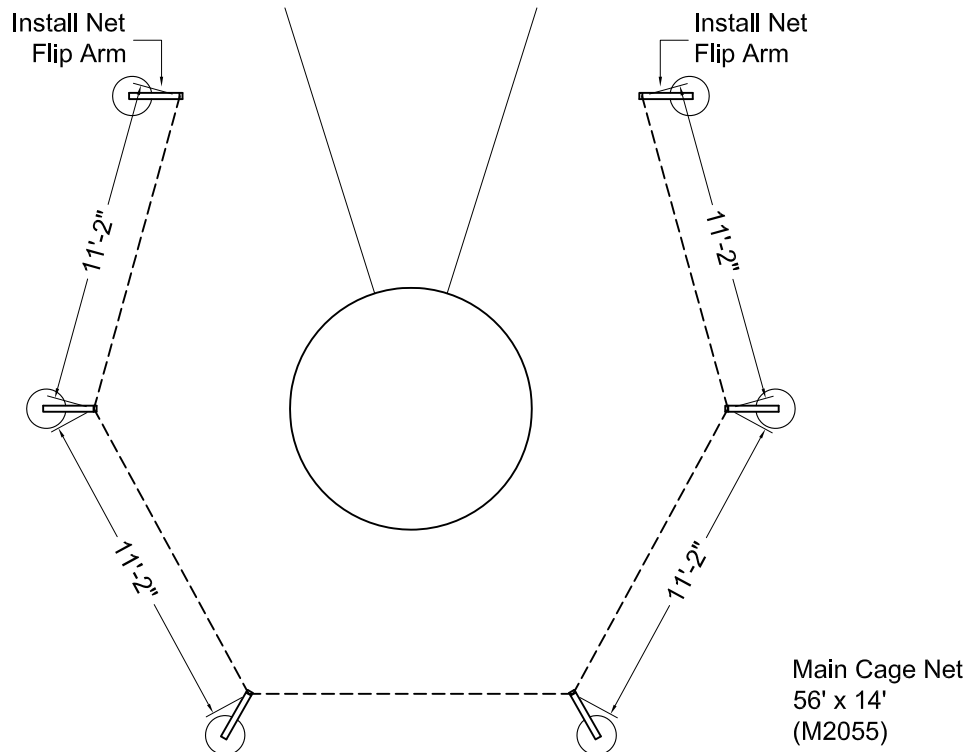


www.gillathletics.com
800-637-3090

8030 - HIGH SCHOOL DISCUS CAGE NET INSTALLATION

1. To minimize sag, the net is supported by a vinyl coated steel cable. To install the cable, weave it in and out through every 5th net opening just below the top edge of the net. When finished, the loops at each end of the cable should be even with the ends of the net.
2. To ensure the net is evenly spaced when it is installed, mark each hook position on the net according to the diagram below. Stretch the net out flat and stake one upper corner to the ground along with the end of a 100 ft. long measuring tape. Stretch the net and tape to 56' and stake the corner to hold it's position next to the tape. Mark the top of net and the cable at the dimensions shown.

4. Lay out the net inside the cage poles with each marked position next to the appropriate net rope hook. At each position hook both the net binding and the cable. At each end be sure the hook is through the cable loop.
5. Raise the net to the top of the poles and tie off the ropes. At the base of the front poles, hook the bottom corner of the net to the flip arm. A sand bag or other weight can be placed on the arm to increase the arms resistance. If you desire, additional net flip arms can be purchased. At the rear poles, clip the net to the anchored eyebolts. The bottom 6" of the net is supposed to lay on the ground to help trap a discus.



THIS WARNING IS GIVEN IN COMPLIANCE
WITH CALIFORNIA'S PROPOSITION 65:

WARNING

This product contains chemicals known to the
State of California to cause cancer, birth defects
or other reproductive harm.

suggestions@gillathletics.com

Copyright ©2016 by Gill Athletics. All rights reserved.

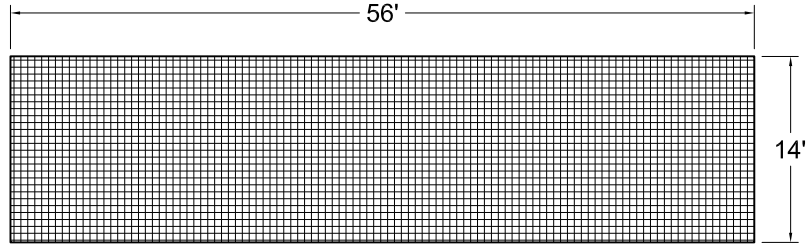
GILL ATH
06-07-16
8030_net



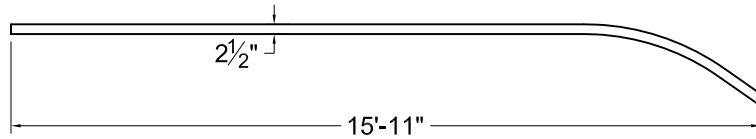
www.gillathletics.com
800-637-3090

8030 - HIGH SCHOOL DISCUS CAGE SHIP LIST

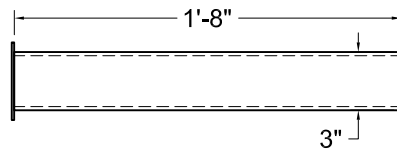
Main Net
M2055
x1



White SQ Steel Net Pole
803020
x6



Ground Sleeve
80305
x6



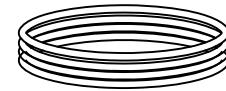
Cage Components Box - 803040

Warning Sign
M2322
x3

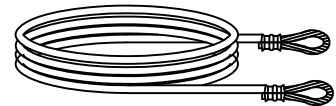


Snap Ring
M1250
x12

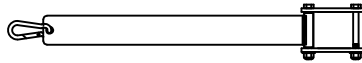
3/16" Nylon Rope
(23ft Sections)
80310
x6 sections



Net Support Cable
55' Long
803015
x1



Net Arm
803043
x2



White Touch-Up Paint
PANT00010004
x1

HARDWARE BAG x 1:		
QTY.	M#	DESCRIPTION
24	HDWE050030E0	1/4" Flat Washer
24	M1290	1/4"-20 Nylock Hex Nut
12	M1207	1/4"-20 x 3" Eyebolt
10	M2223	3/8" Snap Hook
6	M2245	Plastic 8" Rope Cleat
12	HDWE06212	1/4"-20 x 4 1/4" Screw
1	ANCR00045	Installation Tool for Concrete Anchor
4	ANCR00046	Drop-In Concrete Anchor; 3/8"-16
4	HDWE07027	3/8"-16 X 7/8" Eyebolt; 2.5" Total Length

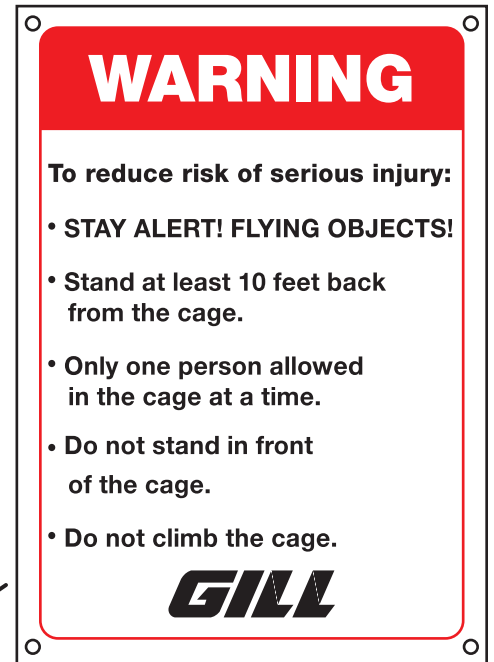


www.gillathletics.com
800-637-3090

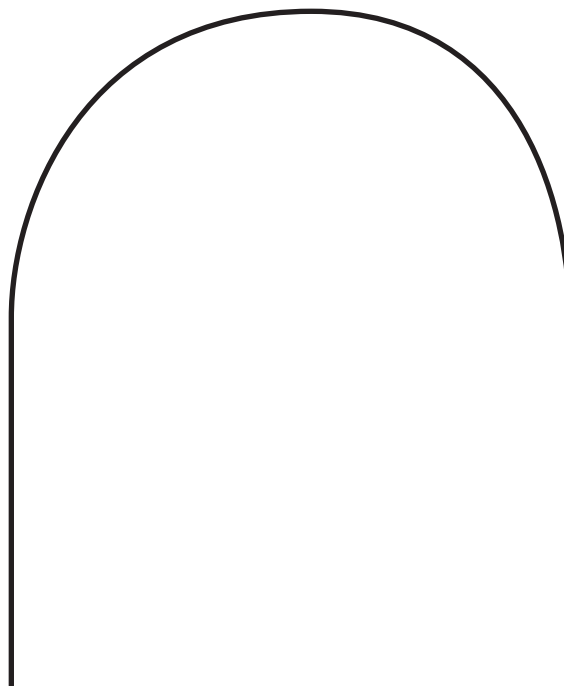
THROWING CAGE INSTALLATION OF WARNING SIGNS

For the protection of athletes, spectators, and coaches install warning signs according to the diagram below.

Attach signs (M2322) to the cage net with the included 1.25" rings (M1250) in each corner. Signs should face away from the cage toward spectators.



Center Back: Attach sign to the outside of the net at eye level in the middle of the back of the cage.



Left Front Side: Attach sign to the outside of the net at eye level near the front left side of the cage.



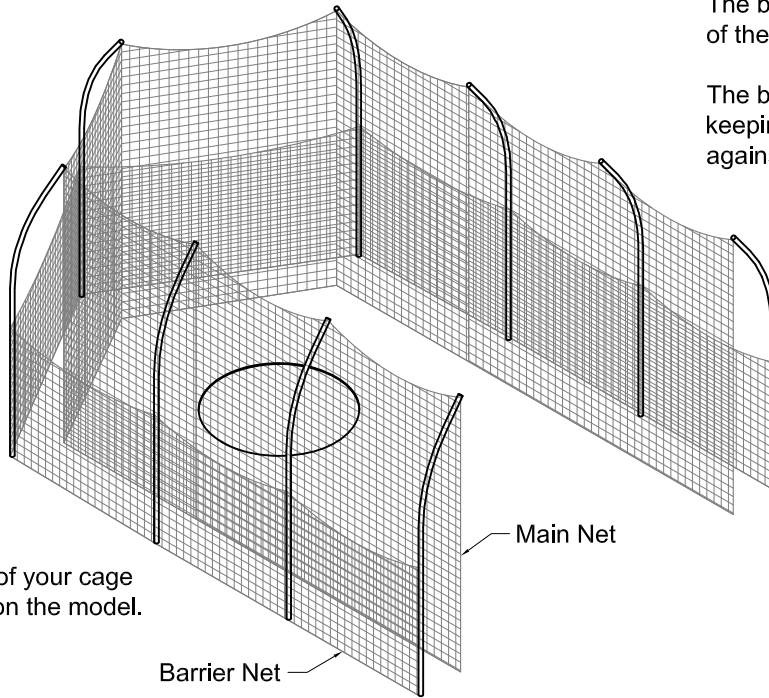
Right Front Side: Attach sign to the outside of the net at eye level near the front right side of the cage.





www.gillathletics.com
800-637-3090

DISCUS CAGE BARRIER NETS INSTALLATION



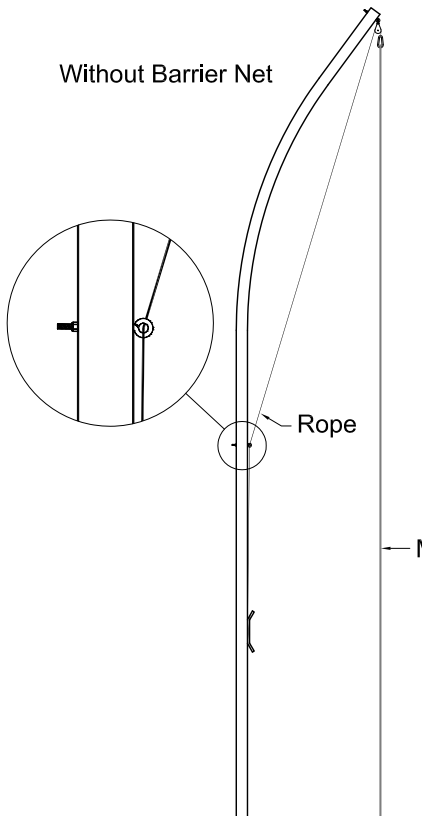
The barrier net wraps around the outside of the cage poles and is 8 feet tall.

The barrier net improves safety by keeping spectators from standing up against the outside of the main net.

The size and layout of your cage will vary depending on the model.

Main Net

Barrier Net

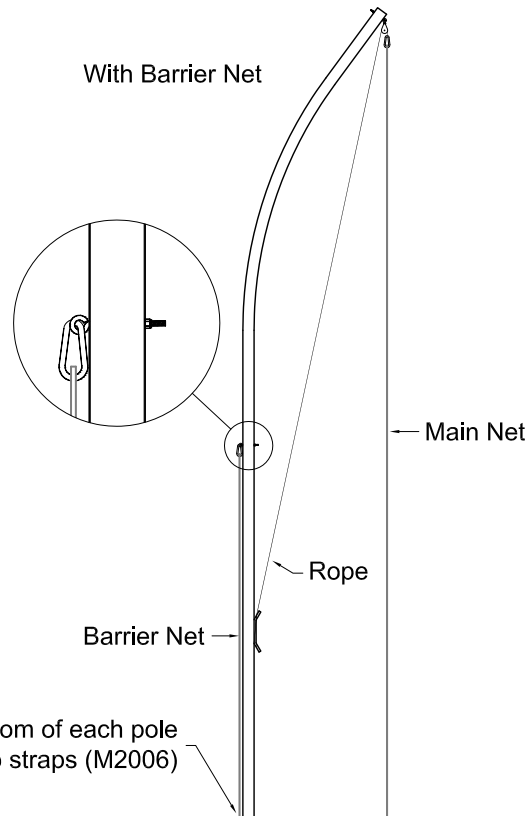


Without Barrier Net

Rope

Main Net

To install the barrier net remove the rope guide eye-bolts and re-install them reverse. You may have to move the bolt to a lower hole. Hang the barrier net from the eye-bolts using the snap hook (M2224).



With Barrier Net

Main Net

Rope

Barrier Net

Secure the net to the bottom of each pole using the 15" velcro straps (M2006)

GILL ATH
05/30/08