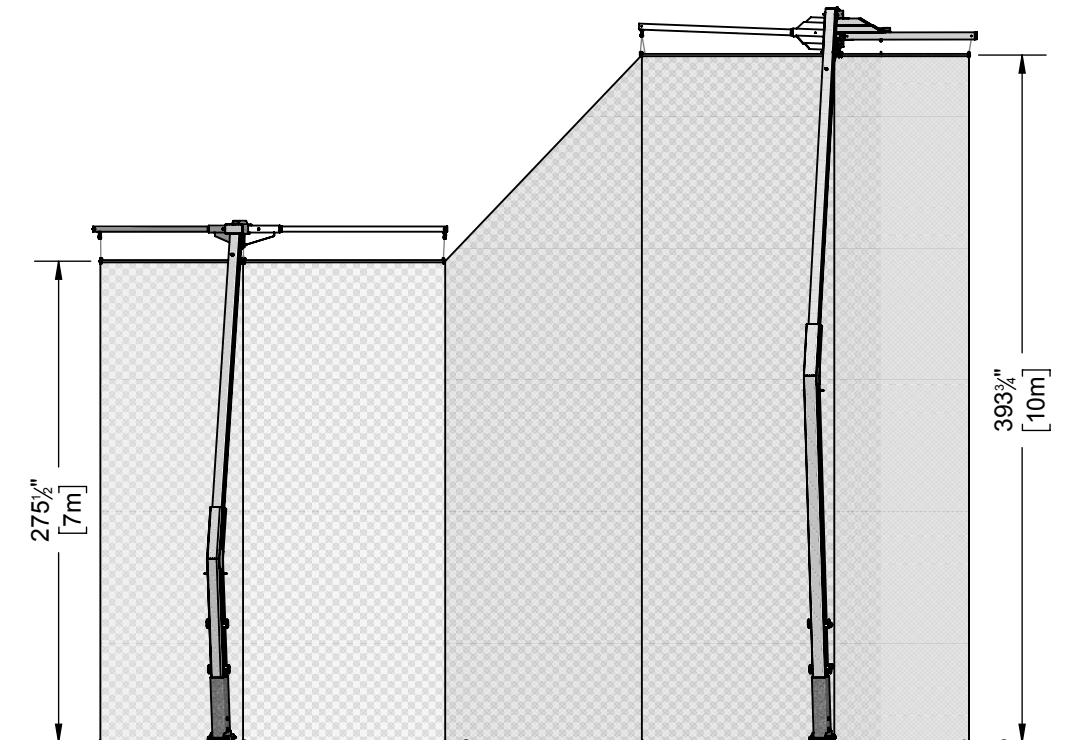
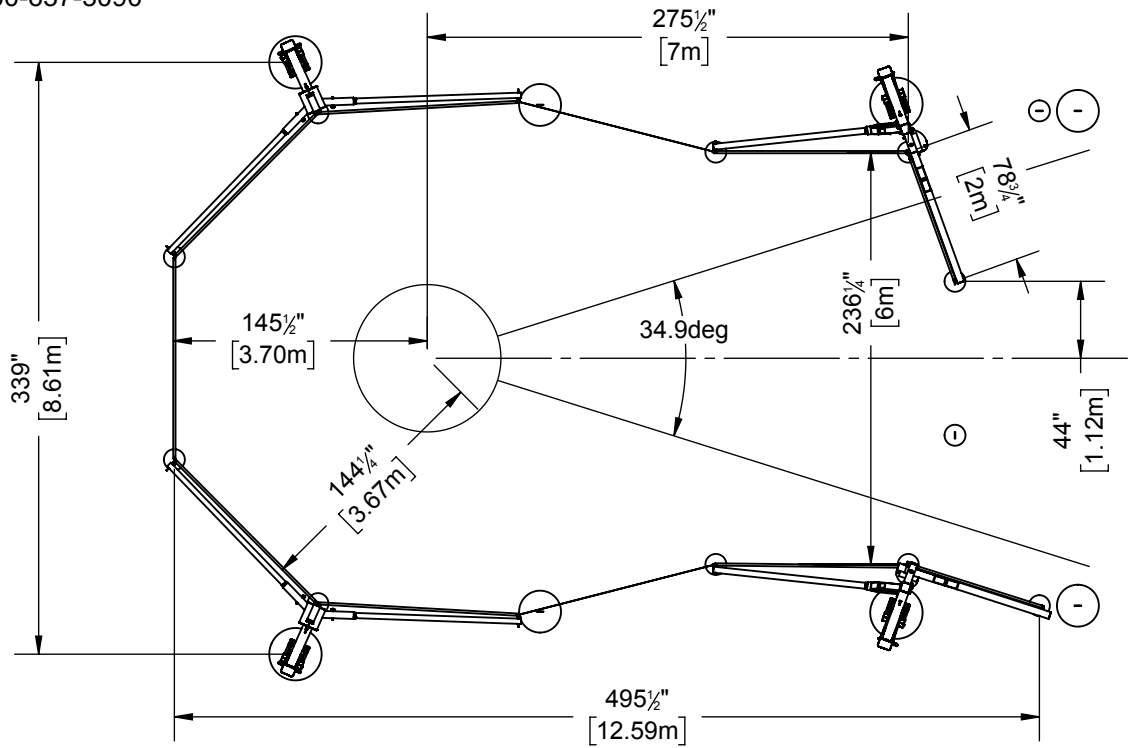




www.gillathletics.com
800-637-3090

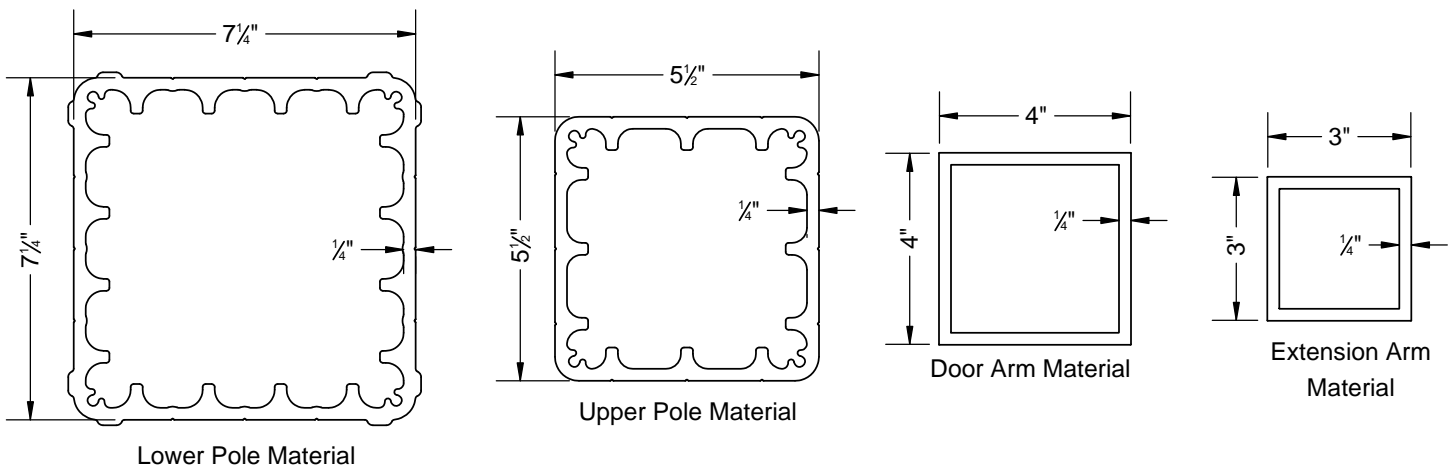
732310 - THOR 10 HAMMER CAGE INSTRUCTIONS



The 732310, Thor Hammer Cage, consists of four heavy duty aluminum net poles. The unique pole structure reduces the incidence of implement impact and thereby reducing net damage and pole damage.

Ground Sleeve and Anchor Kit (73231001) is sold separately.

The net poles are custom aluminum extrusions. The poles are bent inward offsetting the net. 5/16" net rope swivel pulleys with eyebolts attach to the top of each net pole to facilitate the raising and lowering of the net. The ground sleeves are 60" deep.



The doors only have a top frame. This design minimizes the frame structure a hammer can hit at its most vulnerable position. The doors pivot on 1" OD stainless steel rods. The doors are held in position with a 3/4" diameter spring loaded latch.

The nets are constructed of 749 lb. test, #84 knotted, weather treated nylon. The net is supported between the poles by galvanized steel tubes. The bottom of the net is secure to net ground anchors.

Read all of the instructions before beginning.

Important Safety Instructions

It is the owner's/manager's responsibility to insure that all users of this equipment become familiar with the contents of this manual, to instruct users on the proper operation of the equipment, and to warn them of the potential hazards.

Prior to Operating:

- Read all instructions before using the equipment.
- Do not allow children on or near the equipment.
- Inspect the unit carefully for any worn, loose, or missing parts. If any defect is suspected, do not use! Report suspected problems to authorized personnel immediately!
- Use the equipment only for its intended purpose.
- Do not use the equipment alone.

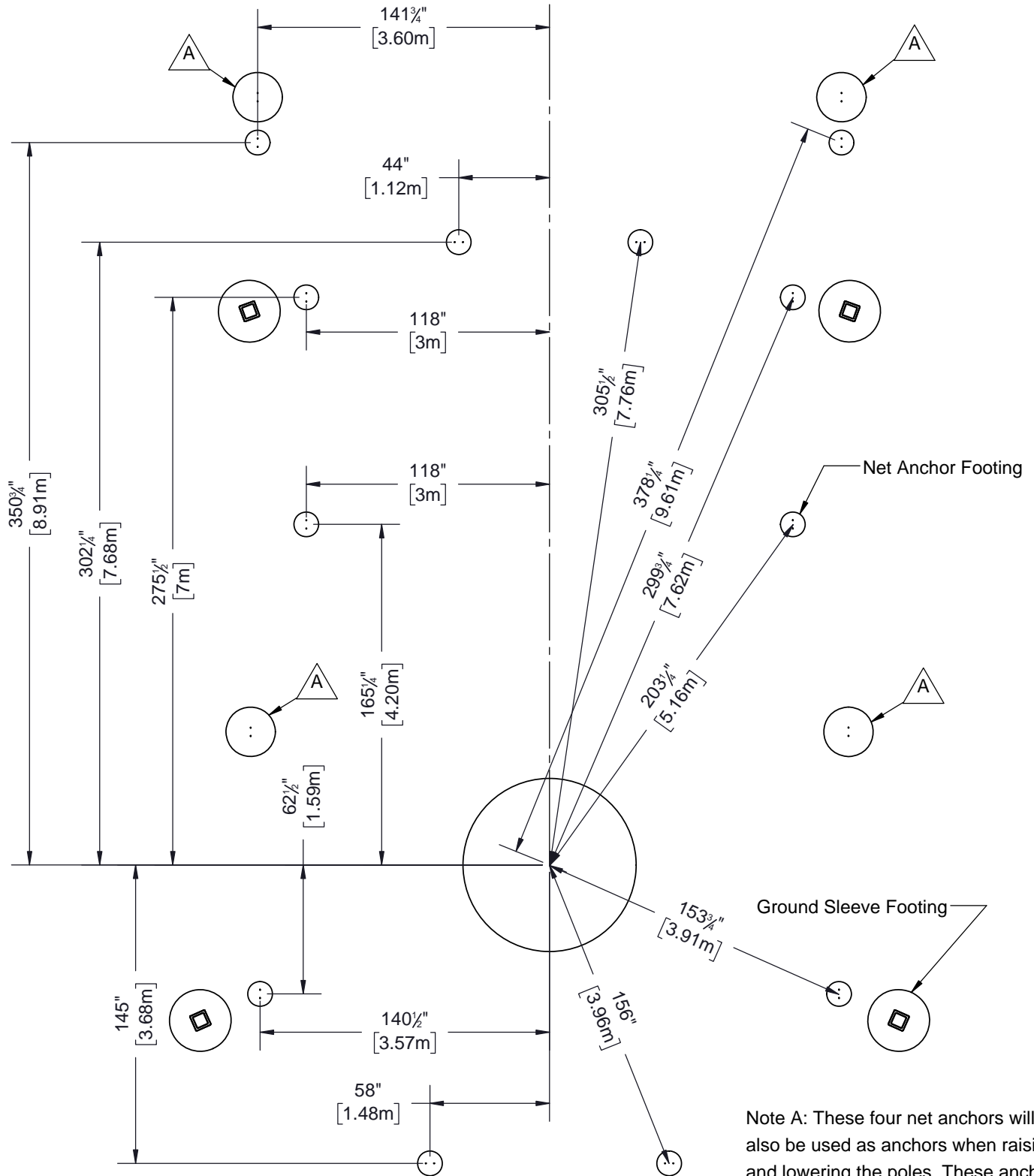
 **WARNING:** This product can expose you to Titanium Dioxide, which is known to the State of California to cause cancer. For more information go to www.p65warnings.ca.gov.

E



www.gillathletics.com
800-637-3090

732310 - THOR 10 HAMMER CAGE INSTRUCTIONS NET ANCHOR PLACEMENT

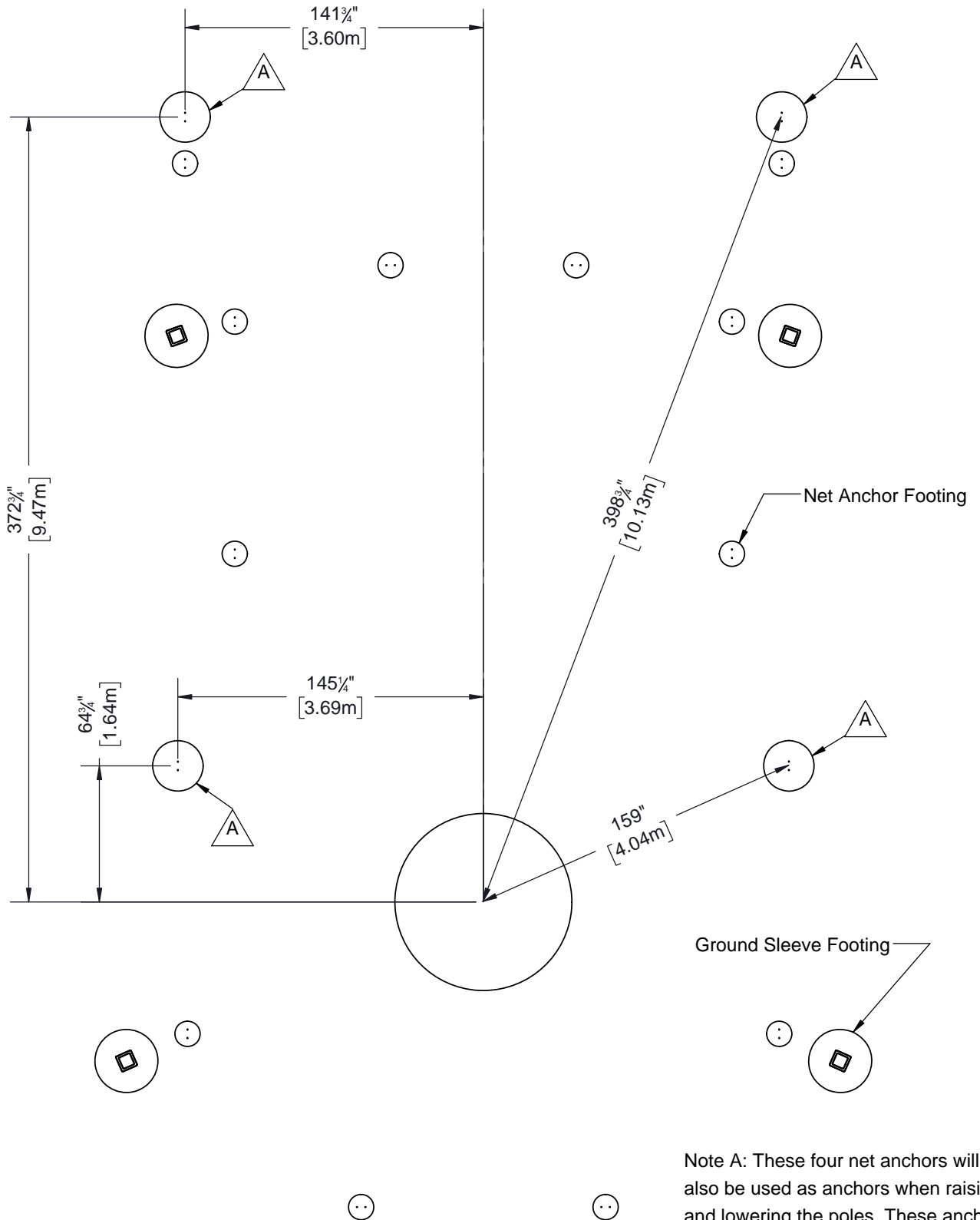


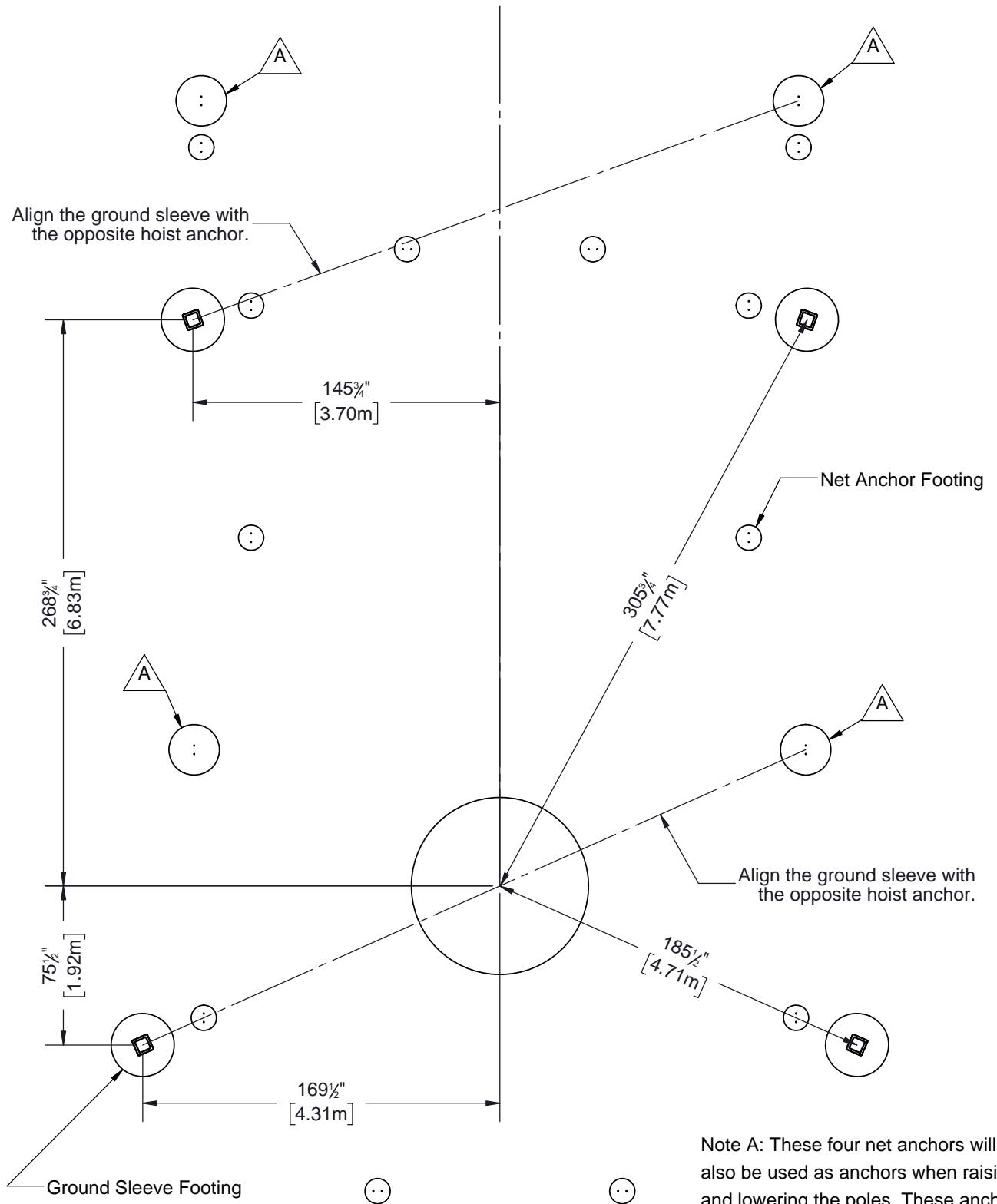
Note A: These four net anchors will also be used as anchors when raising and lowering the poles. These anchors require the chain. See footing details.

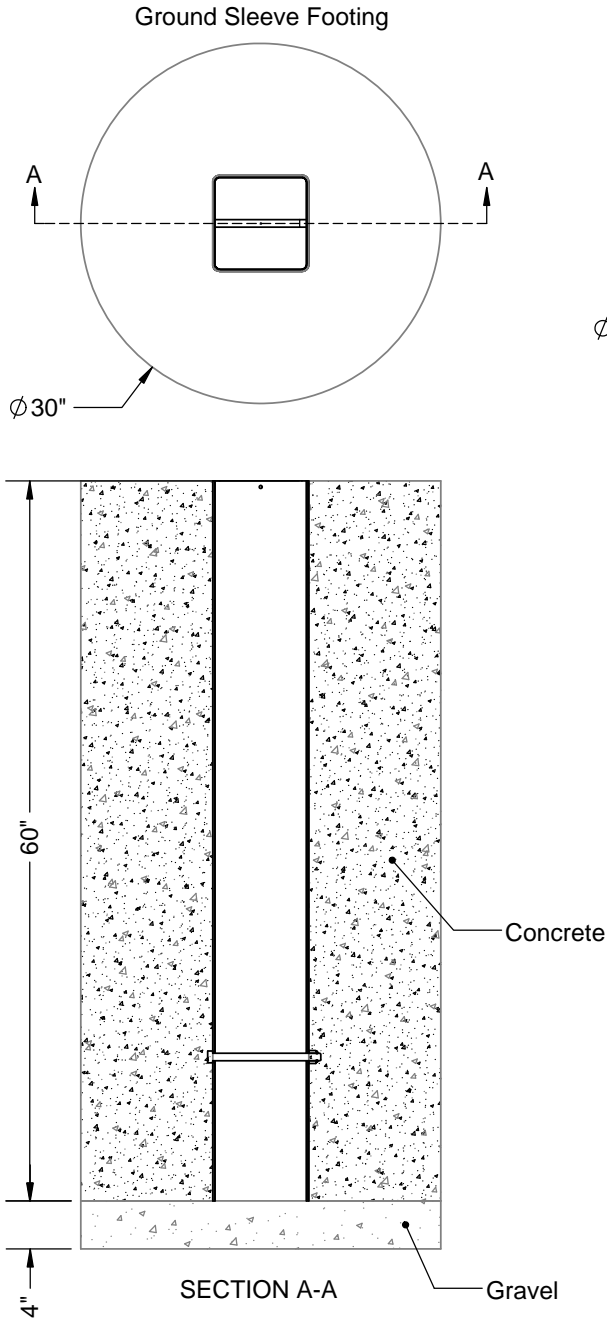


www.gillathletics.com
800-637-3090

732310 - THOR 10 HAMMER CAGE INSTRUCTIONS HOIST ANCHOR PLACEMET







Sleeves for all poles can be installed on crushed rock or a concrete block. To allow for drainage, sleeves should not be completely encased in concrete.

Cast the u-bolts into concrete for the net anchor footings.

Use a 3/4" or 1" dowel, PVC pipe, etc. to span the hole of the footing hang to u-bolt over this to maintain its height. Pull the dowel out after the concrete has cured.

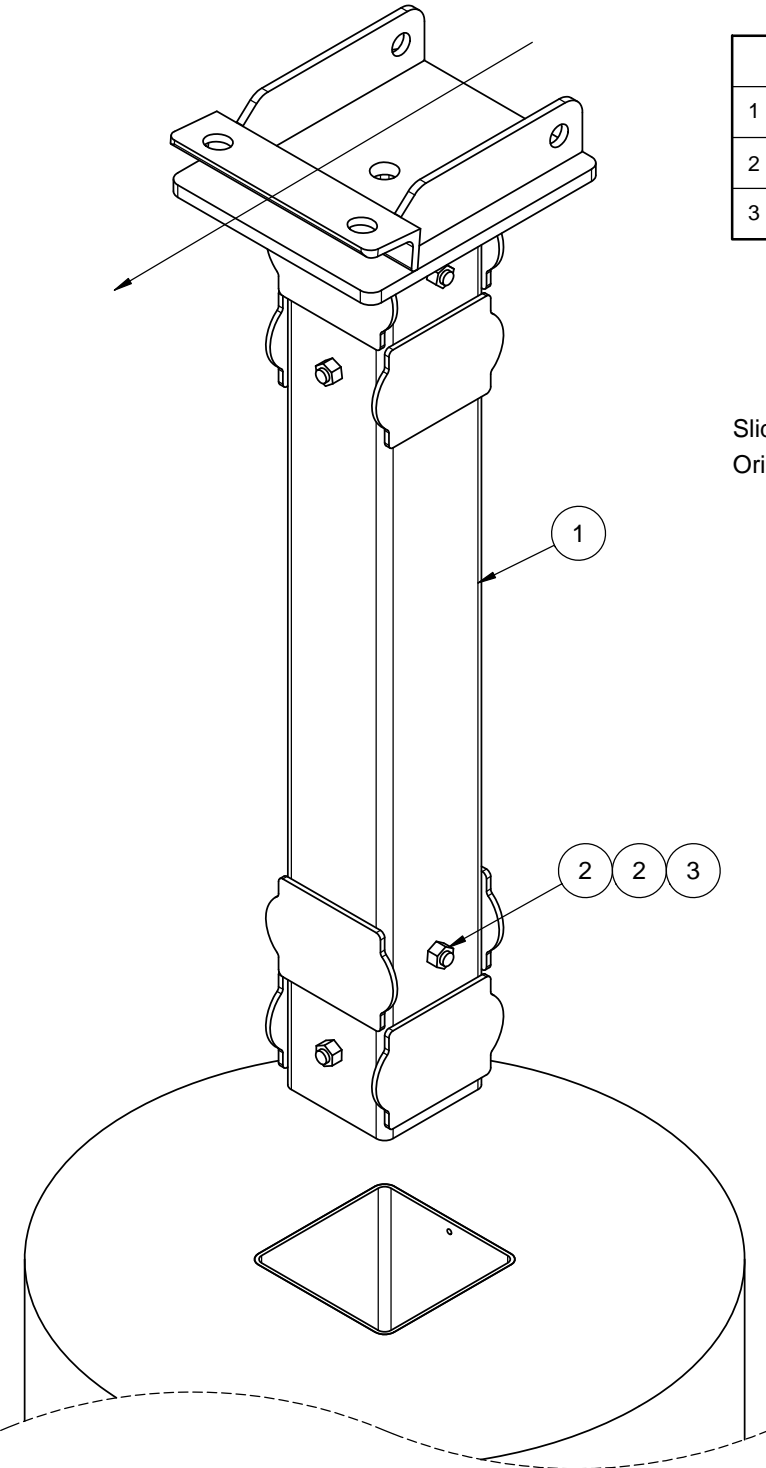
For the four special footing add chain to the u-bolt.

After pouring the concrete piers, allow them to fully cure.

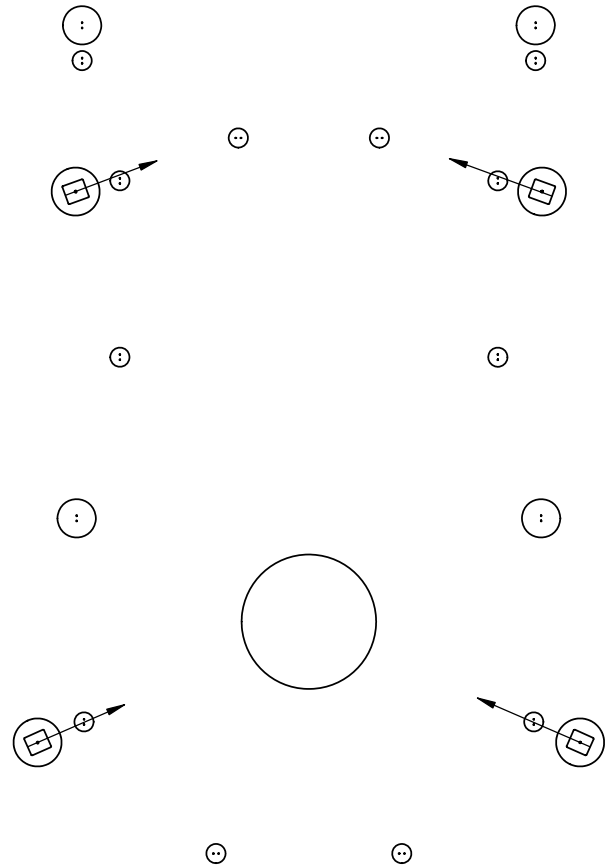
The dimensions of the concrete piers shown here should be considered the minimum requirement. The overall dimensions of the concrete piers are to be determined by the local contractor and should take into consideration the local soil conditions, water table, and frost line.

Install the threaded rods into the holes in the spigots.
 Start with the threaded rods centered in the square tube.
 If the spigot is loose in the ground sleeve, adjust the threaded rods
 to be off-center. Make small adjustments.

	PART #	DESCRIPTION	QTY.
1	73230920	Thor Spigot Weldment	1
2	HDWE030120E0	Hex Nut 5/8-11	8
3	732310601	Thor Spigot Threaded Rod	4



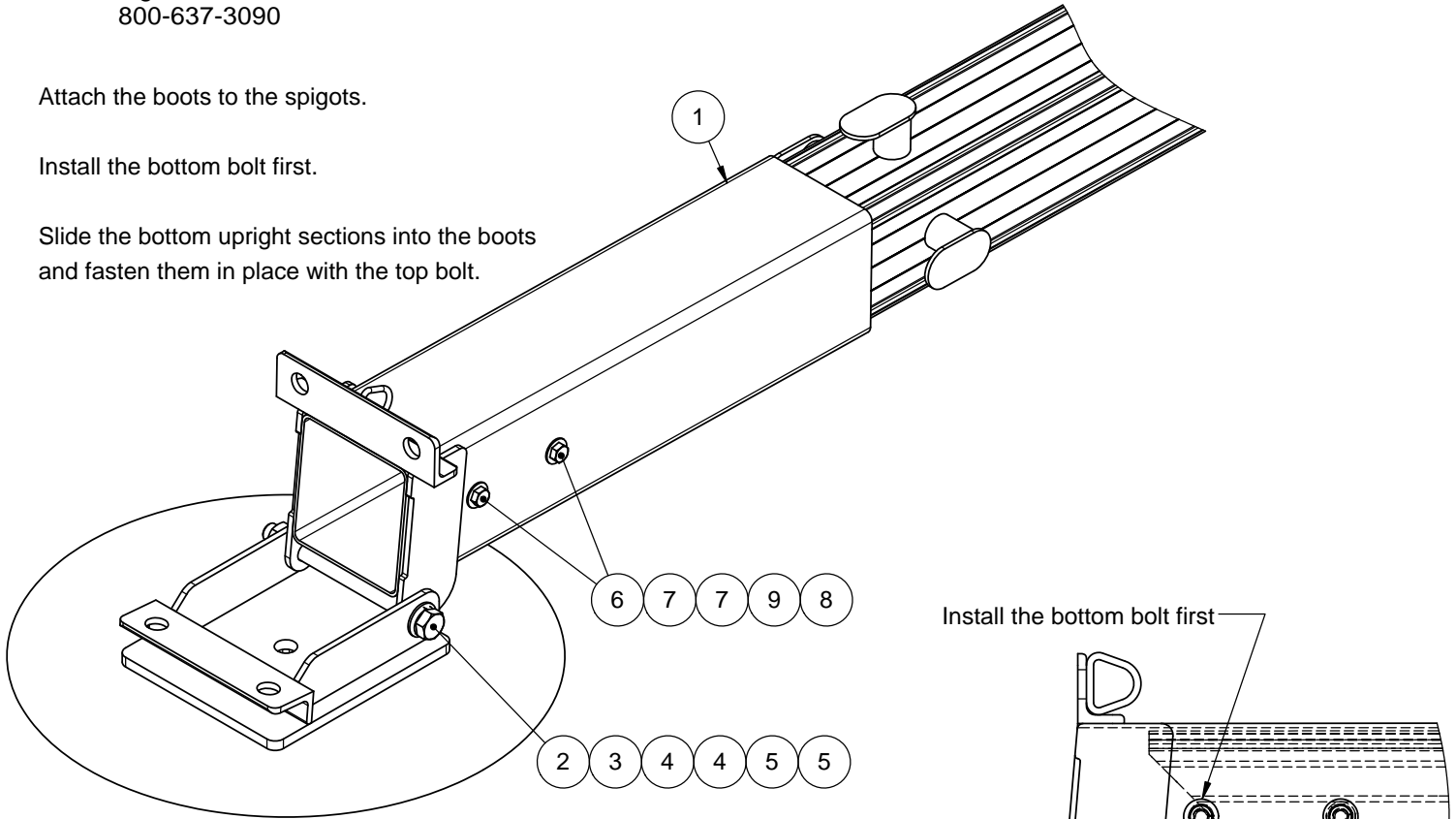
Slide the spigots down into the ground sleeves.
 Orient the spigots as shown.



Attach the boots to the spigots.

Install the bottom bolt first.

Slide the bottom upright sections into the boots and fasten them in place with the top bolt.



Install the bottom bolt first

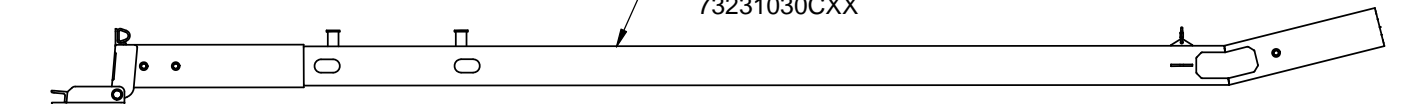
Install the top bolt after the upright is slid into place.

Part #	Description	Qty
1	73230925 Thor Boot Weldment	1
2	HDWE01315 1"-8 x 12" Hex Bolt; 18-8 SS	1
3	HDWE03105 1"-8 Hex Nut; 316 SS	1
4	HDWE04022 1" Lock Washer; 18-8 SS	2
5	HDWE05027 1" Flat Washer	2
6	HDWE01305 5/8"-11 x 9" Hex Bolt; 18-8 SS	2
7	HDWE05028 5/8" Flat Washer; 18-8 SS	4
8	HDWE03107 5/8"-11 Thin Hex Nut	2
9	HDWE04010 5/8" Lock Washer; 18-8 SS	2

Rear Pole Bottom Section
73231040CXX



Front Pole Bottom Section
73231030CXX





www.gillathletics.com
800-637-3090

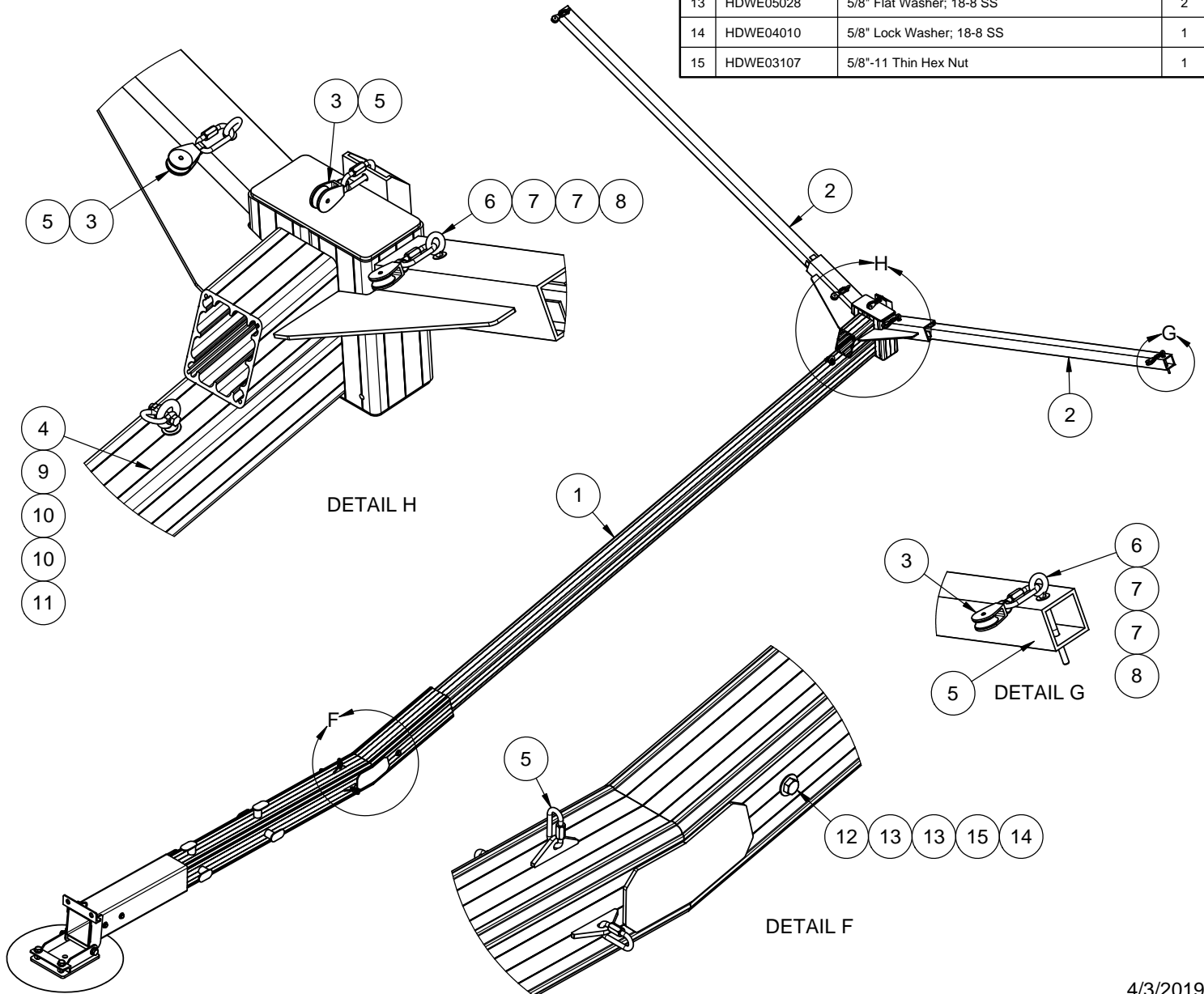
732310 - THOR 10 HAMMER CAGE INSTRUCTIONS REAR POLE ASSEMBLY

Insert the top section of the rear pole into the bottom section of the rear pole.

Insert the extension arms into the sockets.

Install hardware.

	PART #	DESCRIPTION	QTY
1	73231041	Thor 10 Rear Pole Upper Weldment	1
2	73231042	Thor 10 Rear Pole Extension Arm Weldment; 112"	2
3	PULY00100	PULLEY; 40MM SHEAVE; BALL BEARINGS	5
4	PULY00102	SS Shackle	1
5	CHAN00030	Quick Link	8
6	HDWE07031	3/8"-16 Eyebolt; 5" Shank; with Nut	4
7	M2534	Washer, Flat, 3/8" SAE, .875" OD, .4" ID	8
8	HDWE040020E0	3/8"-16 Lock Washer	4
9	HDWE07032	1/2"-13 Eyebolt; 8" Shank; with Nut	1
10	M2543	1/2" Flat Washer; SS	2
11	HDWE04024	1/2" Lock Washer; 18-8 SS	1
12	HDWE01306	5/8"-11 x 8" Hex Bolt; 18-8 SS	1
13	HDWE05028	5/8" Flat Washer; 18-8 SS	2
14	HDWE04010	5/8" Lock Washer; 18-8 SS	1
15	HDWE03107	5/8"-11 Thin Hex Nut	1





www.gillathletics.com
800-637-3090

732310 - THOR 10 HAMMER CAGE INSTRUCTIONS FRONT POLE ASSEMBLY

PART #	DESCRIPTION	QTY
1	73231031 Front Pole Upper Weldment	1
2	73231032 Extension Arm Socket Weldment	1
3	73231033 Front Pole Extension Arm Weldment; 106.5"	1
4	73231035 Thor Gate Over Rotate Stop Tube	1
5	PULY00100 PULLEY; 40MM SHEAVE; BALL BEARINGS	3
6	PULY00102 SS Shackle	1
7	CHAN00030 Quick Link	7
8	HDWE07031 3/8"-16 Eyebolt; 5" Shank; with Nut	4
9	M2534 Washer, Flat, 3/8" SAE, .875" OD, .4" ID	8
10	HDWE040020E0 3/8"-16 Lock Washer	4
11	HDWE07032 1/2"-13 Eyebolt; 8" Shank; with Nut	1
12	M2543 1/2" Flat Washer; SS	22
13	HDWE04024 1/2" Lock Washer; 18-8 SS	11
14	HDWE01309 1/2"-13 x 3.5" Hex Bolt; 18-8 SS	2
15	HDWE01307 1/2"-13 x 7" hex Bolt; 18-8 SS	6
16	HDWE03108 1/2"-13 Hex Nut; 316 SS	10
17	HDWE01306 5/8"-11 x 8" Hex Bolt; 18-8 SS	1
18	HDWE05028 5/8" Flat Washer; 18-8 SS	6
19	HDWE04010 5/8" Lock Washer; f8-8 SS	3
20	HDWE03107 5/8"-11 Thin Hex Nut	3

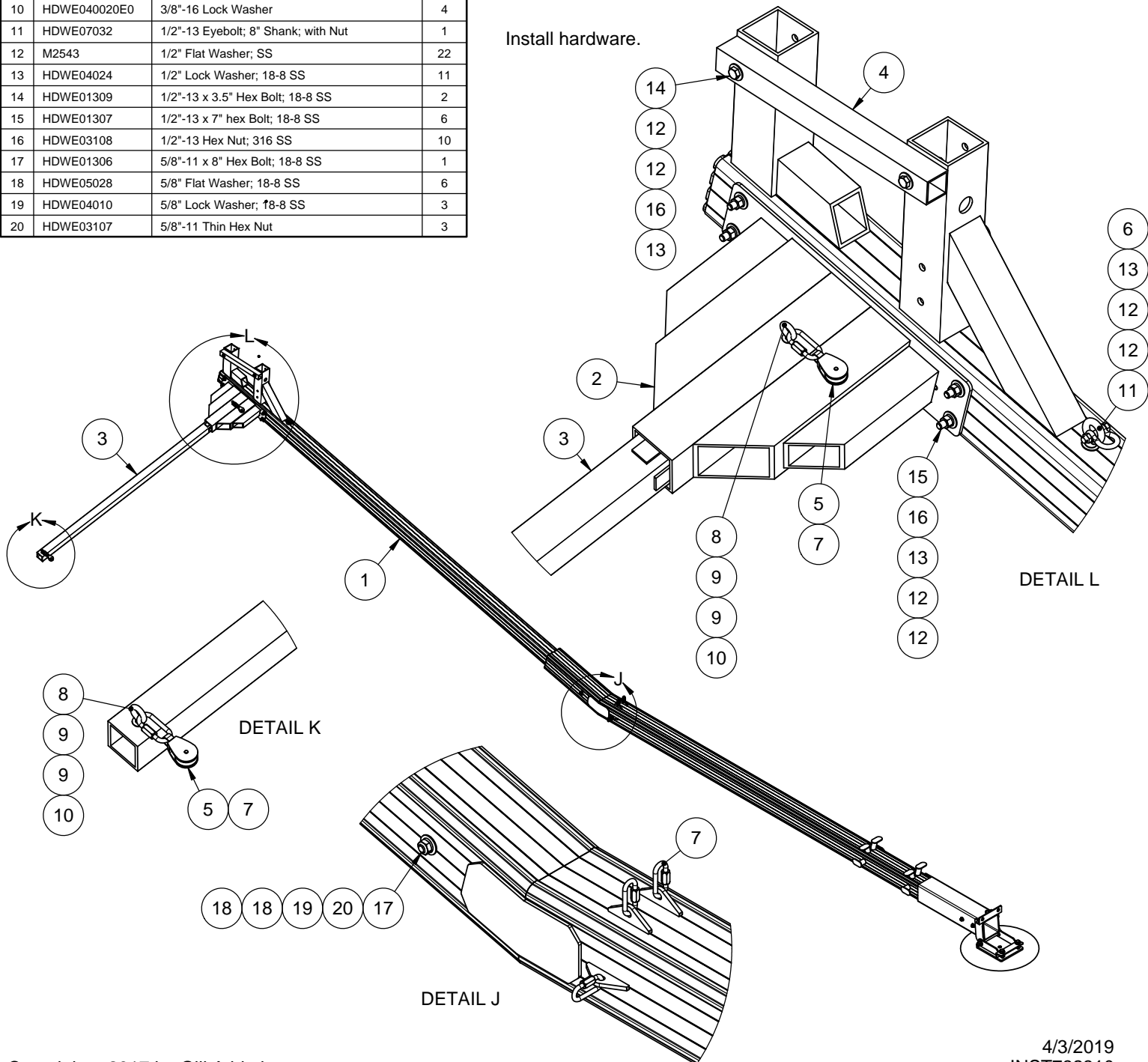
Insert the top section of the front pole into the bottom section of the front pole.

Bolt the extension arm socket onto the top section of the front pole. The socket should be pointing towards the rear of the cage and angled down.

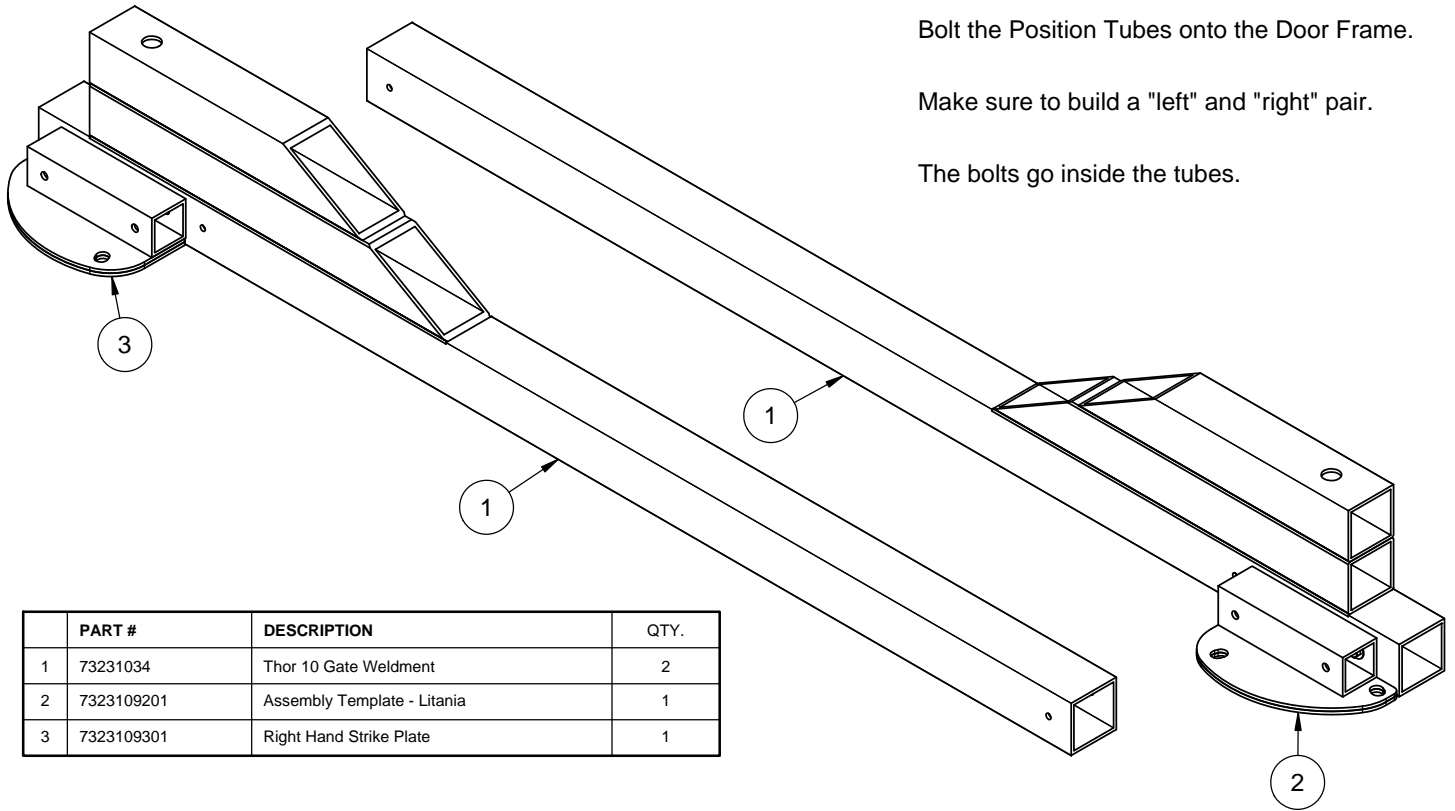
Bolt the Stop Tube onto the top section of the front poles. It should be on the side towards the rear of the cage.

Insert the extension arm into the socket.

Install hardware.



**732310 - THOR 10 HAMMER GATE
 INSTRUCTIONS
 GATE POSITION TUBE ASSEMBLY**

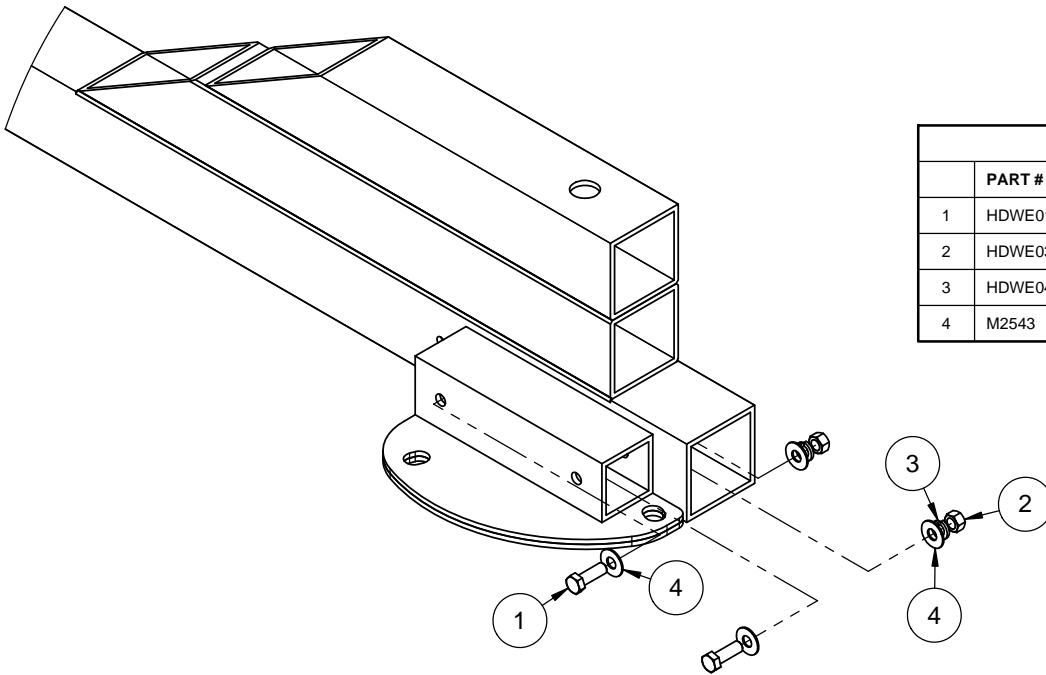


Bolt the Position Tubes onto the Door Frame.

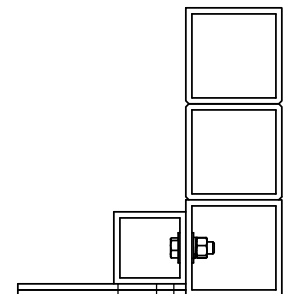
Make sure to build a "left" and "right" pair.

The bolts go inside the tubes.

PART #	DESCRIPTION	QTY.
1	73231034 Thor 10 Gate Weldment	2
2	7323109201 Assembly Template - Litania	1
3	7323109301 Right Hand Strike Plate	1

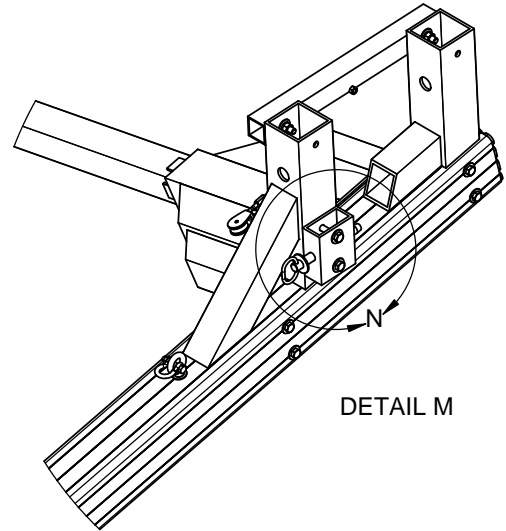
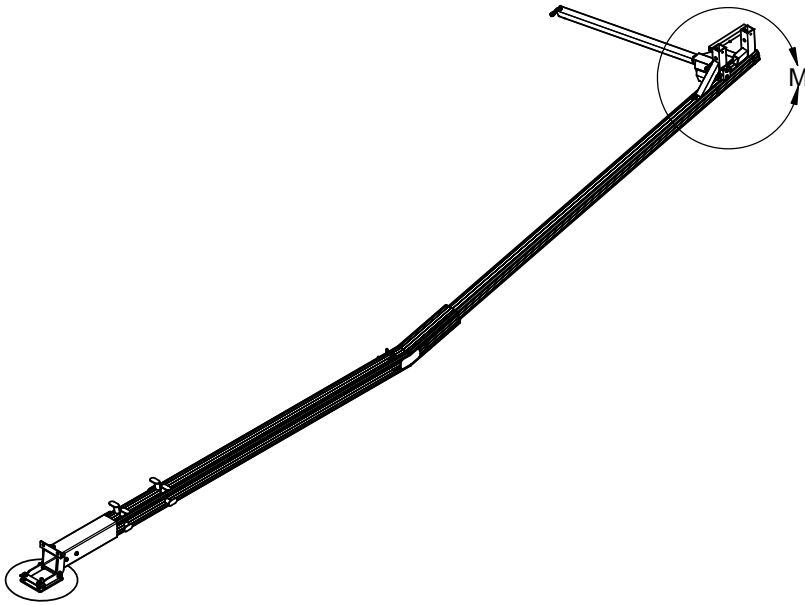


Per Assembly			
PART #	DESCRIPTION	QTY	
1	HDWE01310 1/2"-13 x 1.5" Hex Bolt; 18-8 SS	2	
2	HDWE03108 1/2"-13 Hex Nut; 316 SS	2	
3	HDWE04024 1/2" Lock Washer; 18-8 SS	2	
4	M2543 1/2" Flat Washer; SS	4	

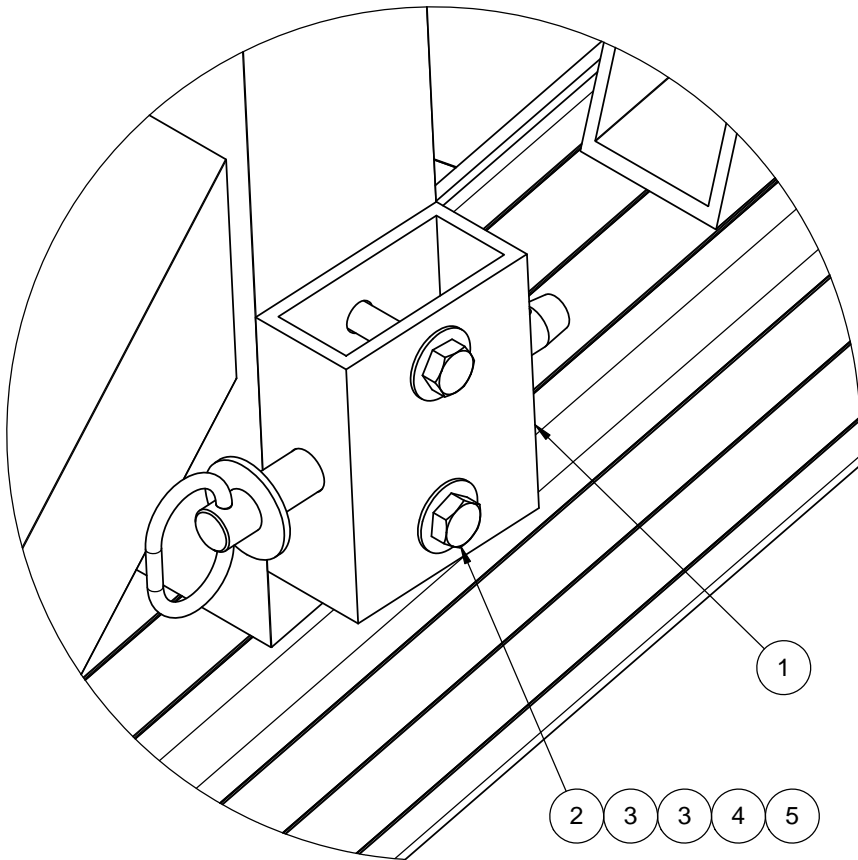


End View

**732310 - THOR 10 HAMMER CAGE
 INSTRUCTIONS
 SPRING LATCH ASSEMBLY**



DETAIL M



DETAIL N

PART #	DESCRIPTION	QTY
1	73231091CXX Thor Latch Pull Pin Assembly	1
2	HDWE01307 1/2"-13 x 7" hex Bolt; 18-8 SS	2
3	M2543 1/2" Flat Washer; SS	4
4	HDWE04024 1/2" Lock Washer; 18-8 SS	2
5	HDWE03108 1/2"-13 Hex Nut; 316 SS	2

Bolt the spring latch assembly onto the top section of the front pole.

The spring latch assembly should be on the front side of the pole. Make sure the loop is towards the bottom of the pole and the post is towards the top of the pole.



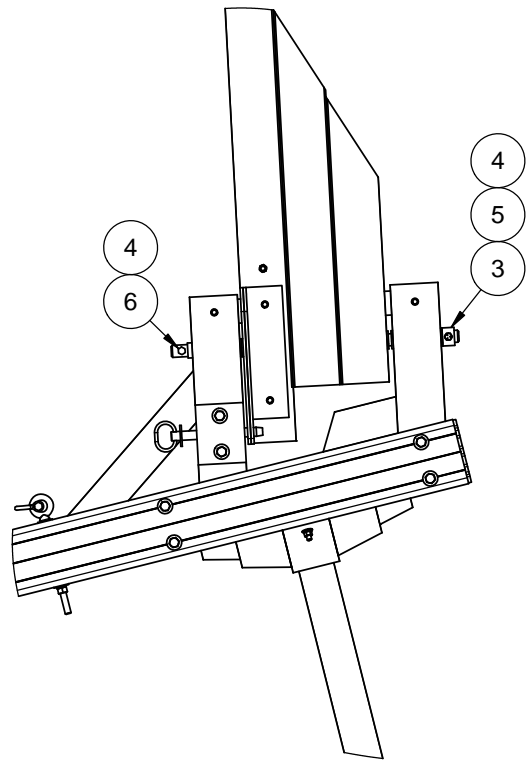
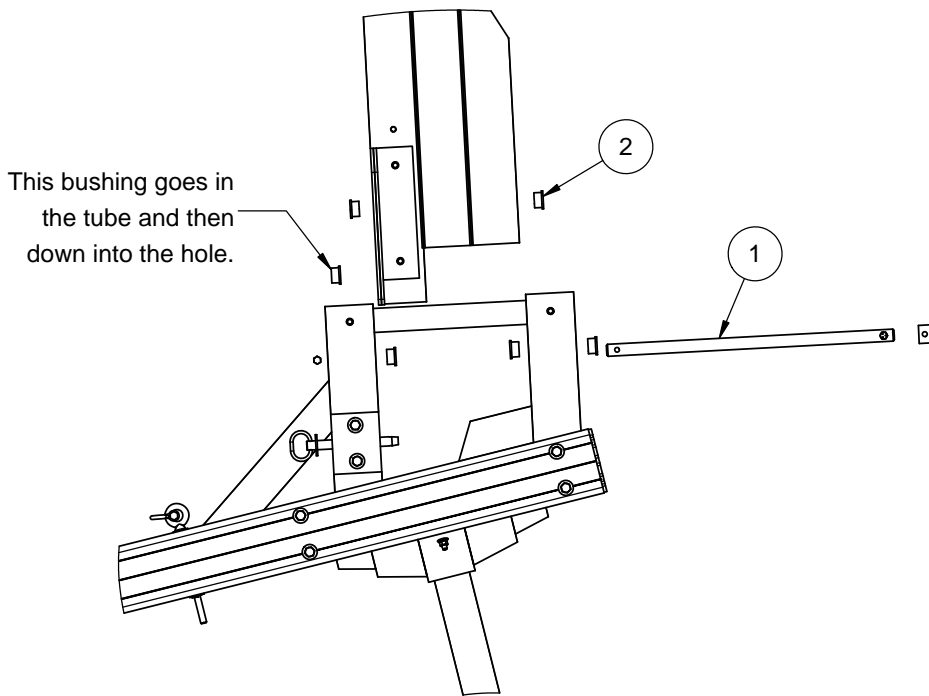
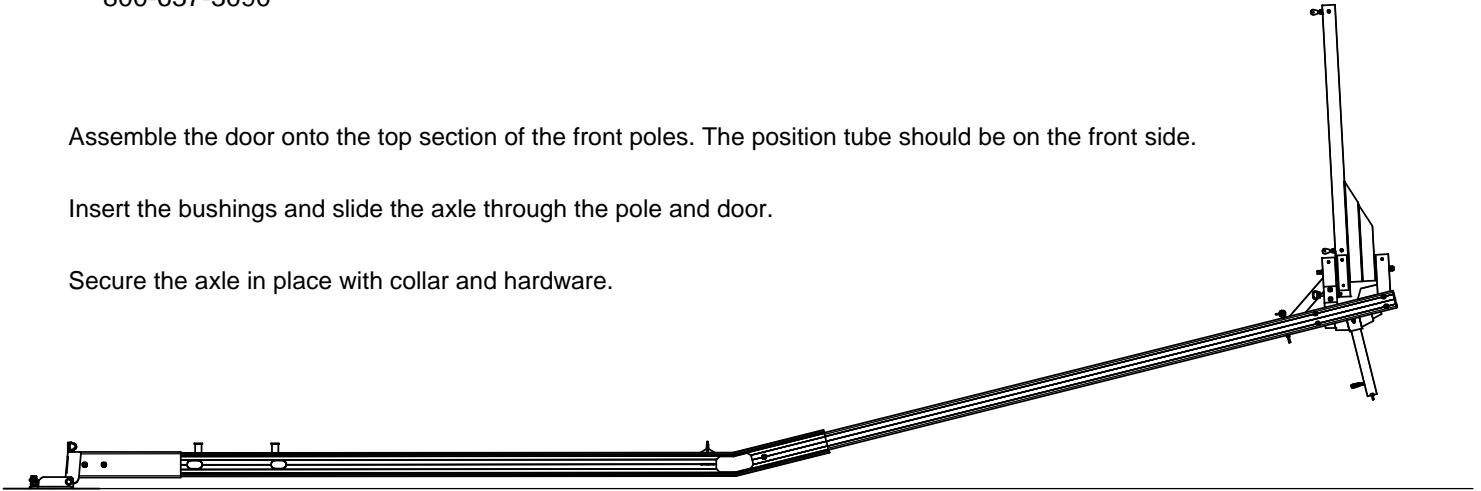
www.gillathletics.com
800-637-3090

732310 - THOR 10 HAMMER CAGE INSTRUCTIONS DOOR ASSEMBLY

Assemble the door onto the top section of the front poles. The position tube should be on the front side.

Insert the bushings and slide the axle through the pole and door.

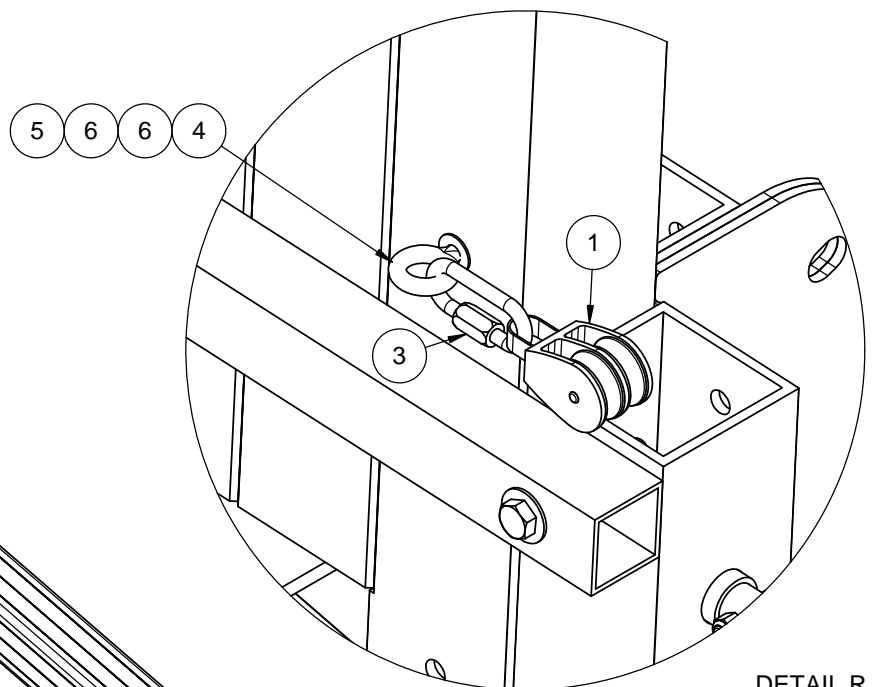
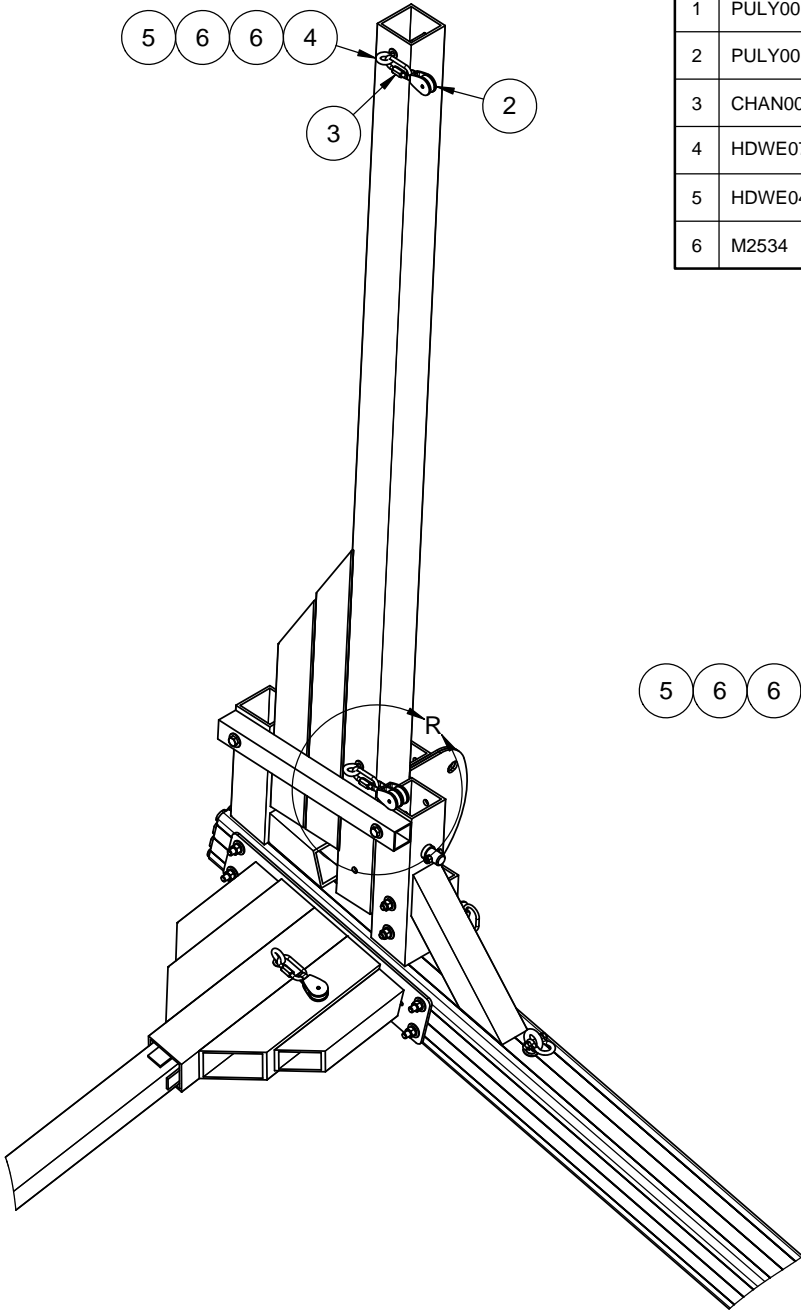
Secure the axle in place with collar and hardware.



	PART #	DESCRIPTION	QTY
1	73231061	Door Hinge Axle	1
2	BUSH00110	BRONZE SLEEVE BEARING; 1" ID; 1 1/4" OD; 1 1/2" FL; 3/4" LG;	6
3	SLVE00155	THOR DOOR HINGE PIN COLLAR	1
4	M1291	3/8"-16 Nylock hex nut, standard height	2
5	HDWE012070E0	3/8"-16 X 2-1/4" HEX HEAD CAP SCREW	1
6	HDWE012020E0	Hex Bolt 3/8-16 x 1.5	1

Attach the pulleys to the back side of the door arm.

	PART #	DESCRIPTION	QTY
1	PULY00103	DOUBLE PULLEY; 40MM SHEAVE; BALL BEARINGS	1
2	PULY00100	PULLEY; 40MM SHEAVE; BALL BEARINGS	1
3	CHAN00030	Quick Link	2
4	HDWE07031	3/8"-16 Eyebolt; 5" Shank; with Nut	2
5	HDWE040020E0	3/8"-16 Lock Washer	2
6	M2534	Washer, Flat, 3/8" SAE, .875" OD, .4" ID	4



DETAIL R

It is important to install the ropes BEFORE raising the poles.

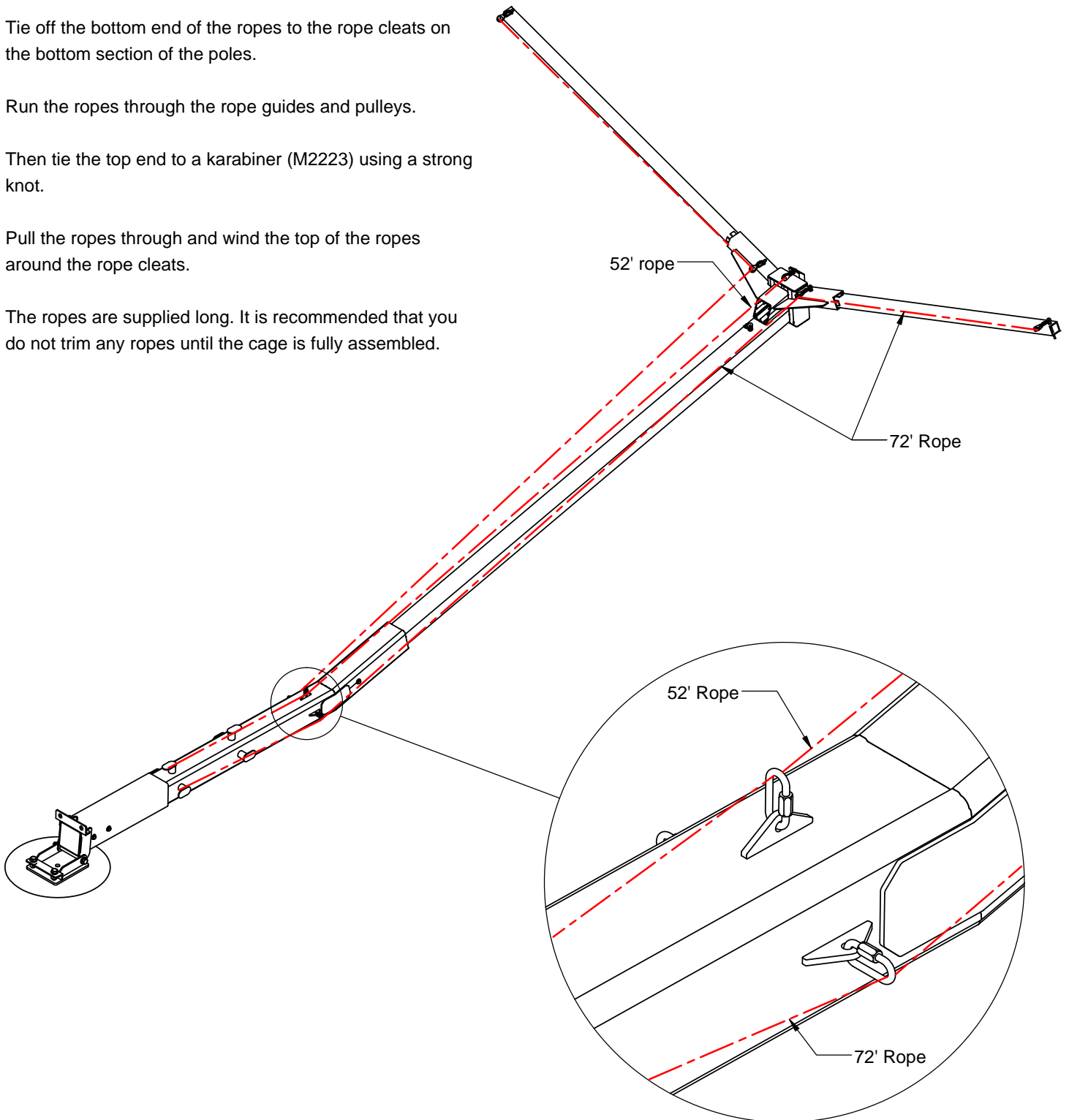
Tie off the bottom end of the ropes to the rope cleats on the bottom section of the poles.

Run the ropes through the rope guides and pulleys.

Then tie the top end to a karabiner (M2223) using a strong knot.

Pull the ropes through and wind the top of the ropes around the rope cleats.

The ropes are supplied long. It is recommended that you do not trim any ropes until the cage is fully assembled.



It is important to install the ropes BEFORE raising the poles.

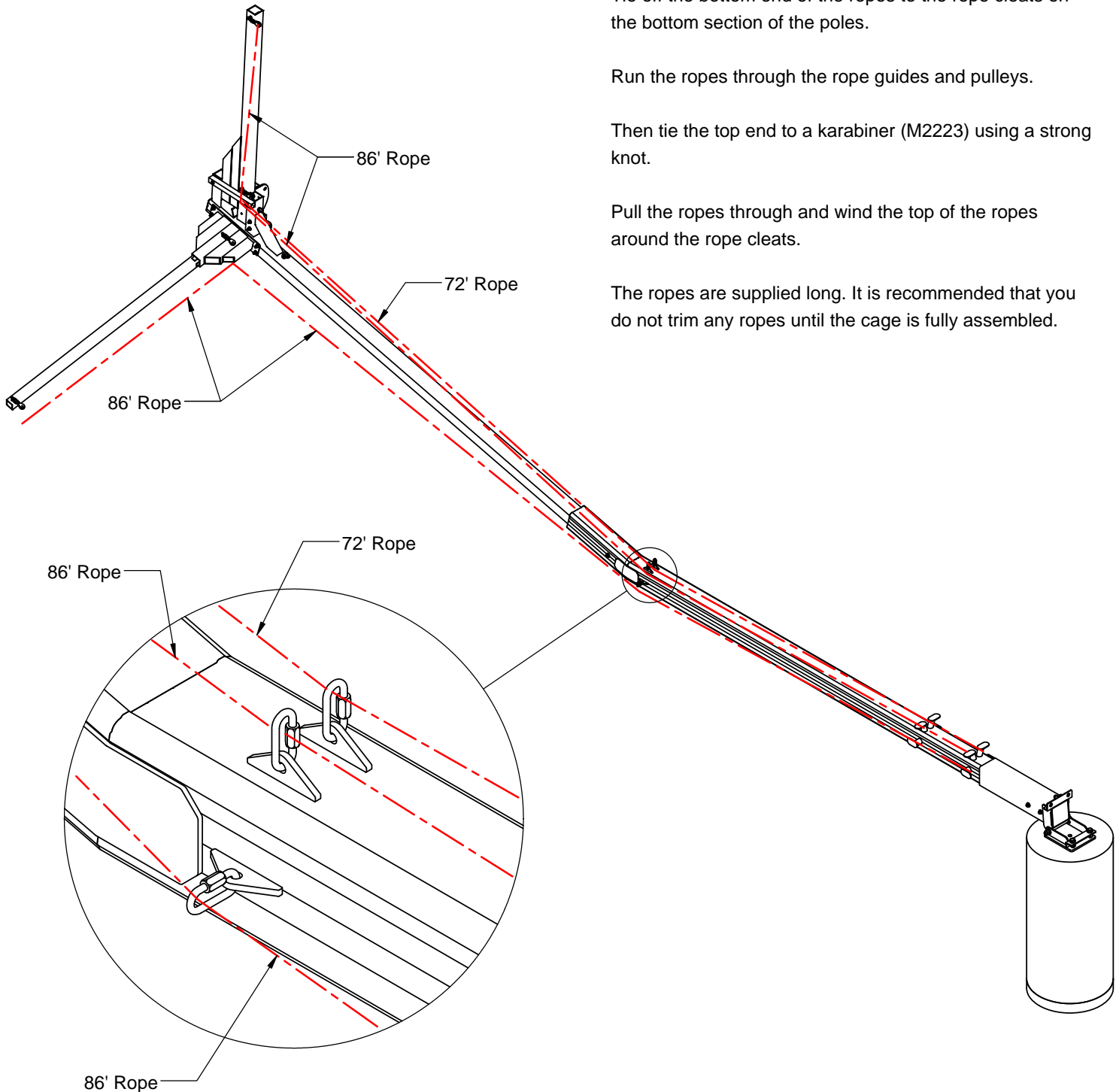
Tie off the bottom end of the ropes to the rope cleats on the bottom section of the poles.

Run the ropes through the rope guides and pulleys.

Then tie the top end to a karabiner (M2223) using a strong knot.

Pull the ropes through and wind the top of the ropes around the rope cleats.

The ropes are supplied long. It is recommended that you do not trim any ropes until the cage is fully assembled.

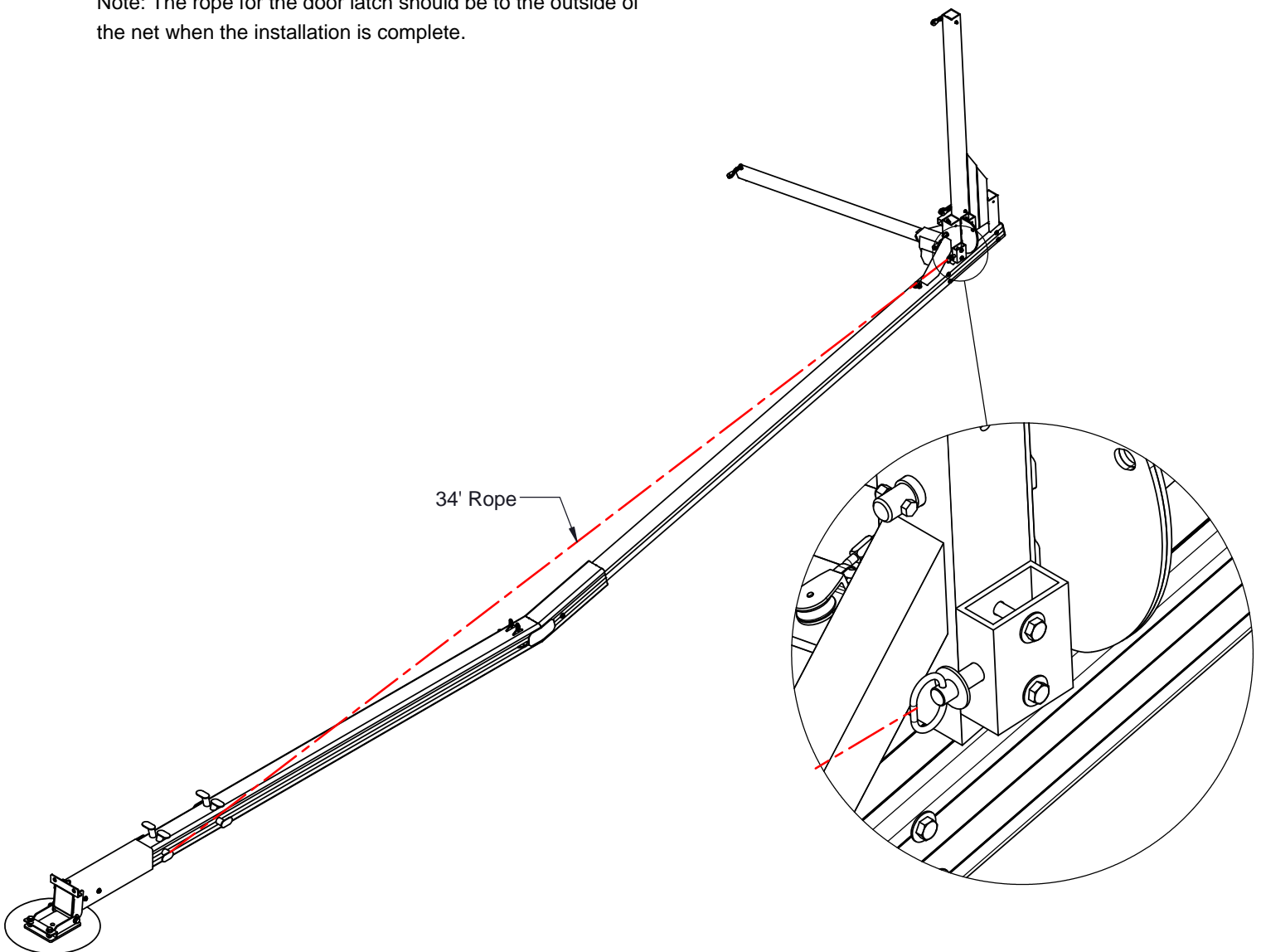


It is important to install the ropes BEFORE raising the poles.

Tie the rope to the door latch pull pin. Tie the bottom of the rope to the rope cleat.

The ropes are supplied long. It is recommended that you do not trim any ropes until the cage is fully assembled.

Note: The rope for the door latch should be to the outside of the net when the installation is complete.





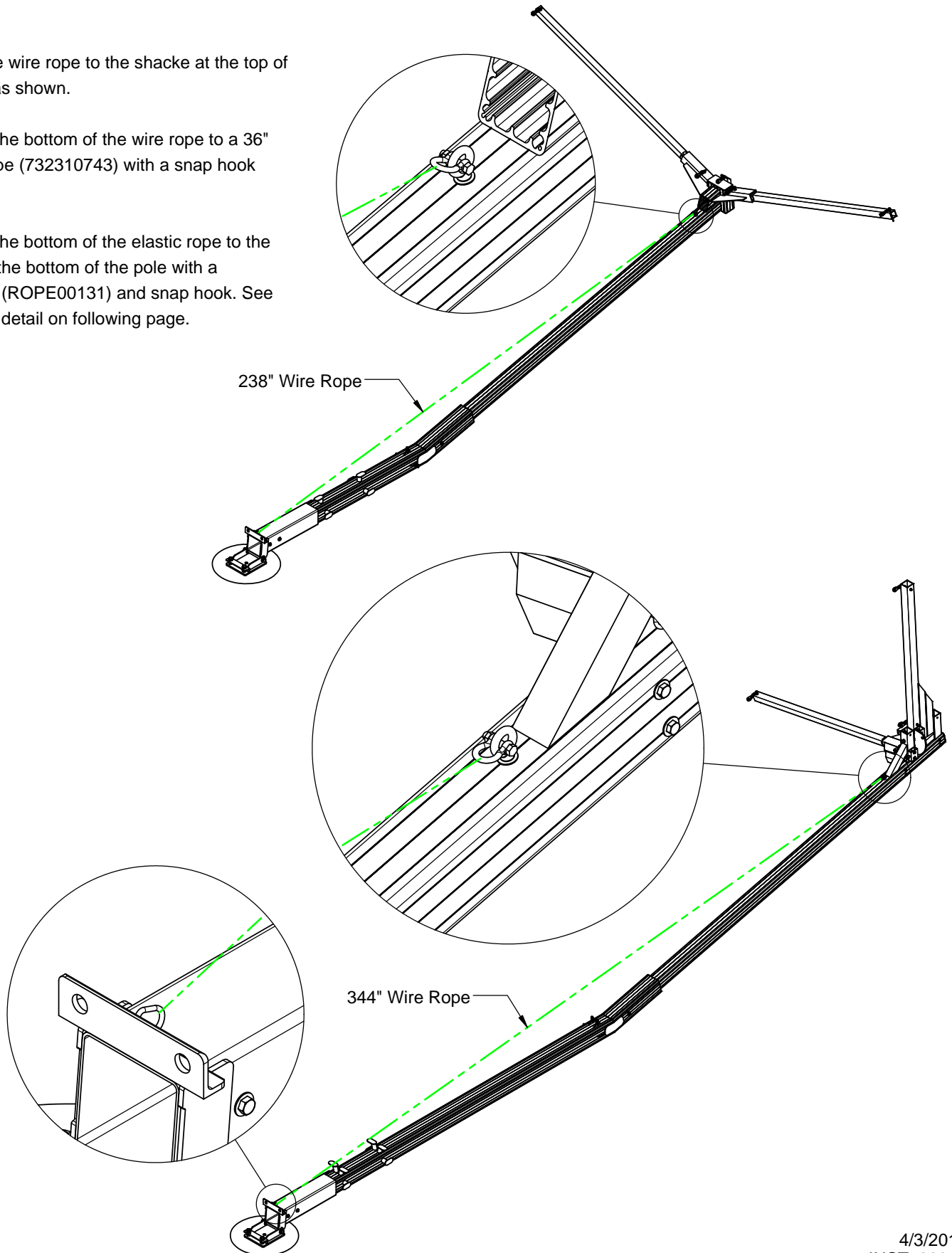
www.gillathletics.com
800-637-3090

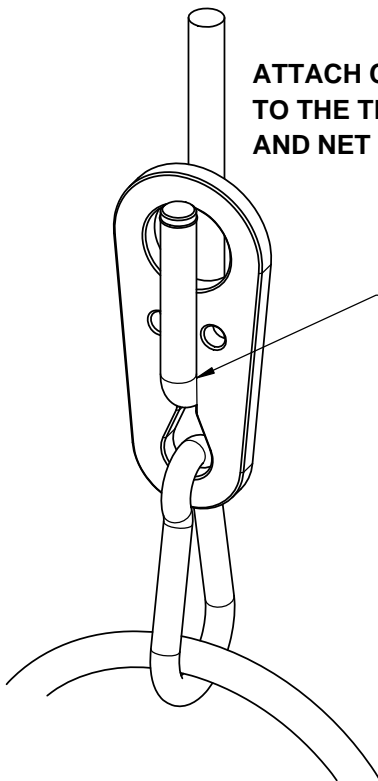
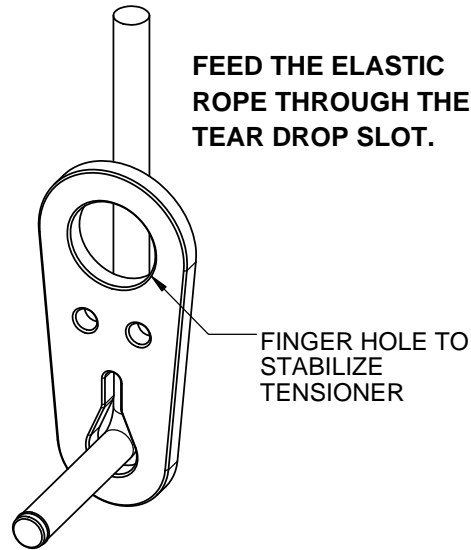
732310 - THOR 10 HAMMER CAGE INSTRUCTIONS WIRE ROPES

Attach the wire rope to the shackles at the top of the pole as shown.

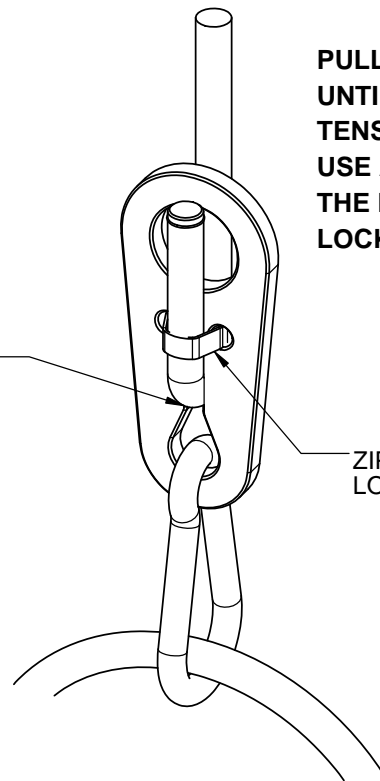
Connect the bottom of the wire rope to a 36" elastic rope (732310743) with a snap hook (M2223).

Connect the bottom of the elastic rope to the D-ring at the bottom of the pole with a tensioner (ROPE00131) and snap hook. See tensioner detail on following page.





ELASTIC ROPE SHOULD WEDGE ITSELF INTO THIS SLOT WHEN TIGHT



Refer to the separate instructions for how to assemble and use the hand winch.

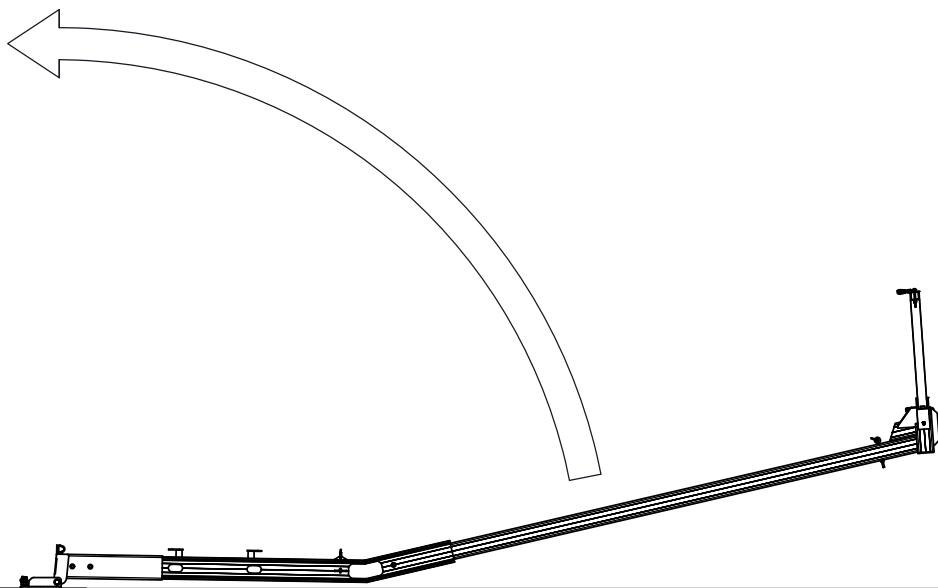
STOP
Make sure that all ropes are run correctly.

Refer to the separate winch instructions for how to use the winch.

Use extreme caution.

Raise the cage poles one at a time.

Make sure the cage poles are secure before releasing them from the winch.



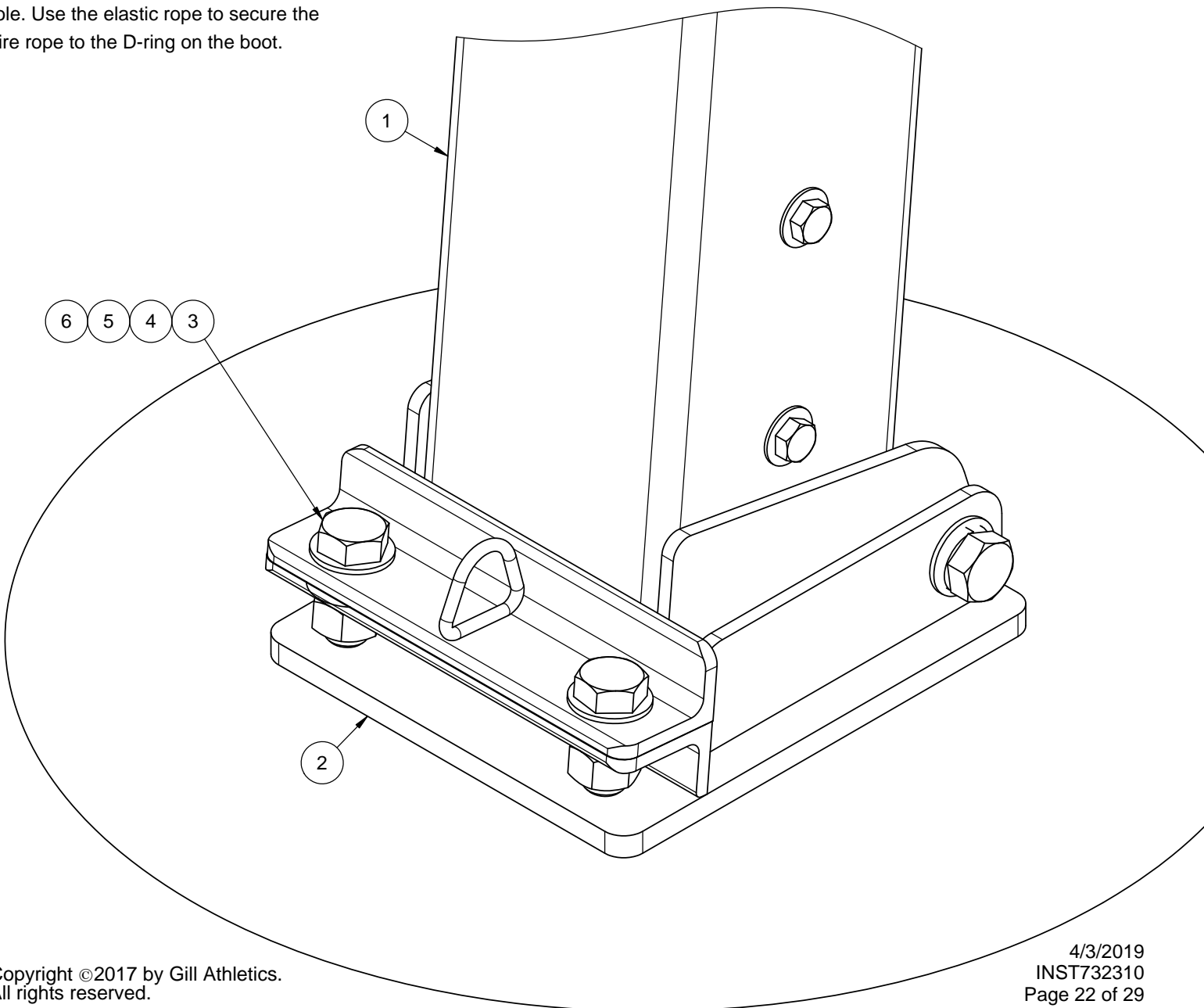
KEEP THE WINCH ATTACHED TO THE POLE.

Do not disconnect the winch from the pole until after the boot is securely bolted to the spigot.

	PART #	DESCRIPTION	QTY
1	73230925	Thor Boot Weldment	1
2	73230920	Thor Spigot Weldment	1
3	HDWE01303	1"-8 x 2.5" Hex Bolt; 18-8 SS	2
4	HDWE05027	1" Flat Washer	6
5	HDWE04022	1" Lock Washer; 18-8 SS	4
6	HDWE03105	1"-8 Hex Nut; 316 SS	3

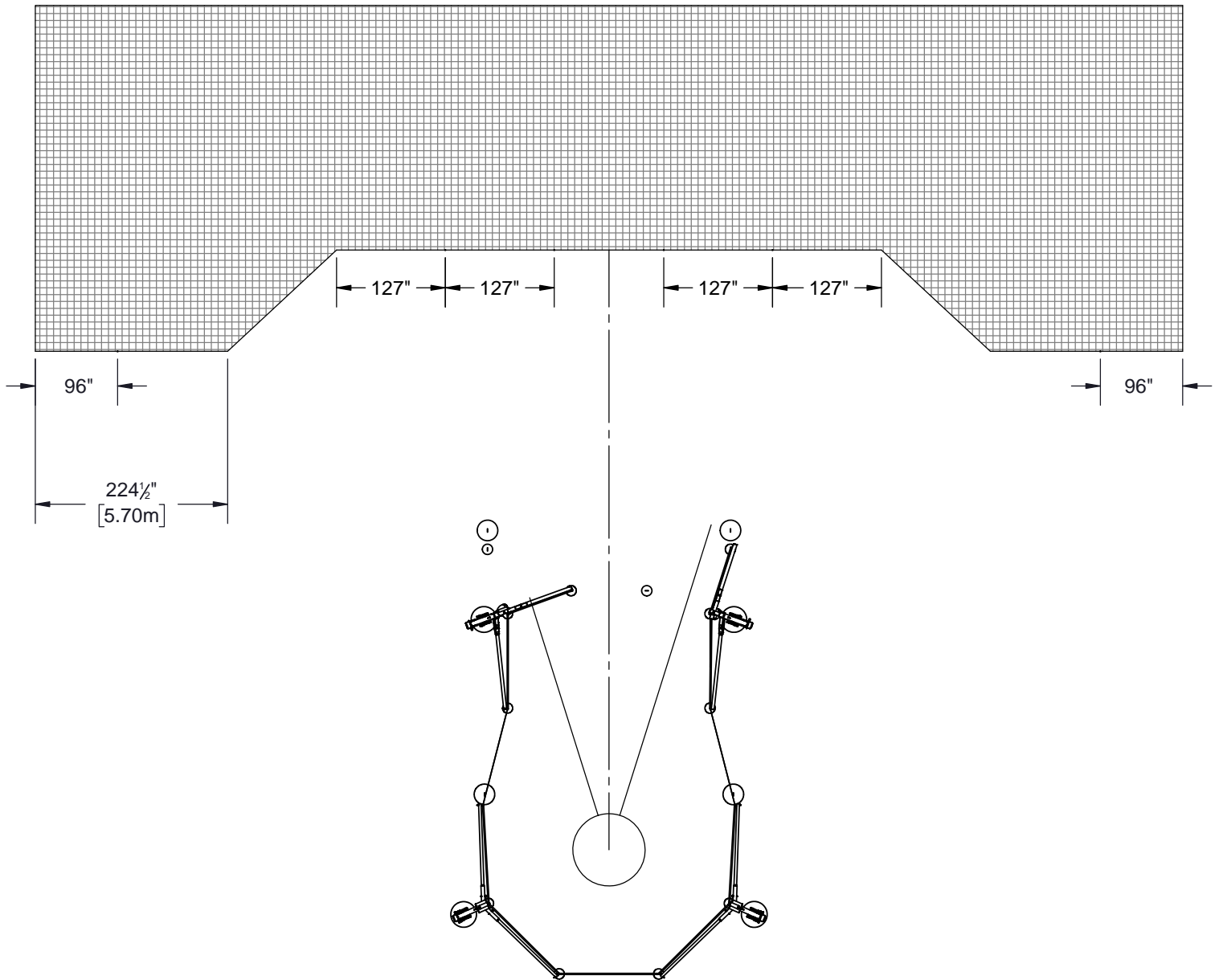
Bolt the the boot to the spigot.

After the boot is securely bolted to the spigot, disconnect the winch from the pole. Use the elastic rope to secure the wire rope to the D-ring on the boot.



Spread the net out on the ground in front of the hammer cage. Mark the top center of the net with some ribbon or white marking spray paint. Mark the other locations shown below. These will help when attaching the net to the hoisting ropes. Some adjustment may be needed later.

Pulling from the top middle of the net, drag the net into the cage.

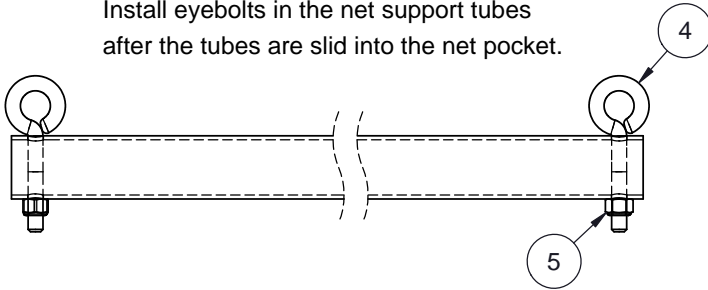


The net has a folded pocket along the top edge for the net support tubes.

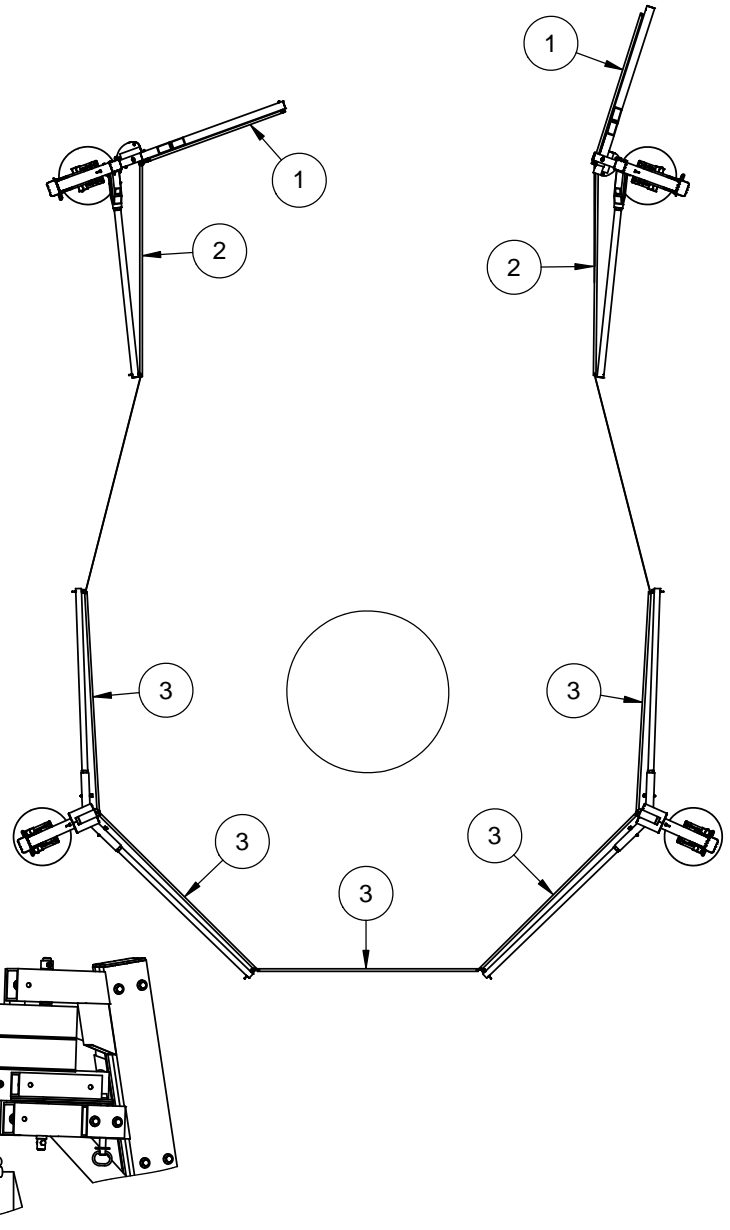
Using the marks as guides, slide the net support tubes into the pocket and clip them to the hoist ropes as shown.

	PART #	DESCRIPTION	QTY
1	73231056	THOR 10 NET SUPPORT TUBE - DOORS	2
2	73231055	THOR 10 NET SUPPORT TUBE - TALL PANELS	2
3	73231054	THOR 10 NET SUPPORT TUBE - SHORT PANELS	5

Install eyebolts in the net support tubes after the tubes are slid into the net pocket.



	PART #	DESCRIPTION	QTY
4	M2249	5/16 X 2 EYEBOLT ZINC (3 1/4TL)	2
5	M1254	5/16"-18 Nylock Hex Nut	2



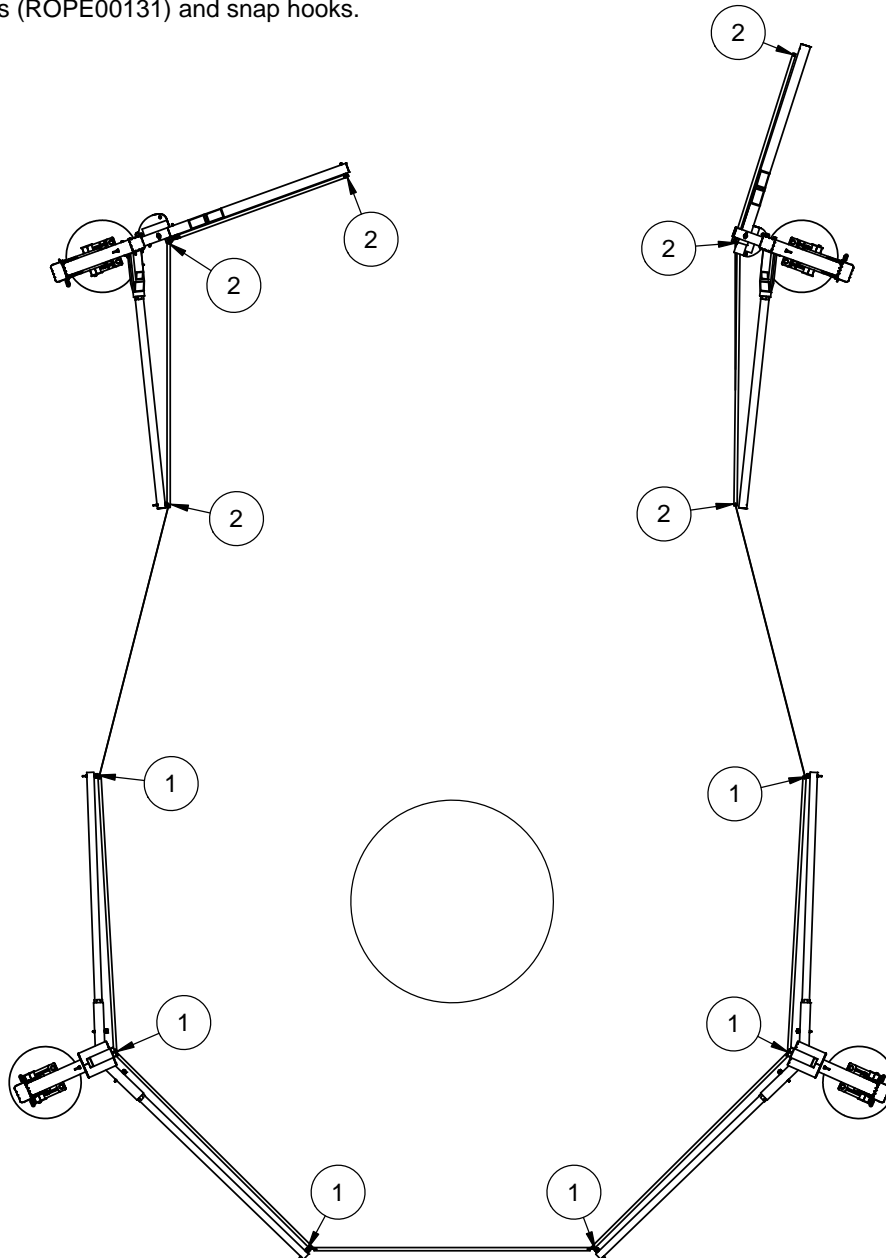
Raise the net about six feet.

Attach the elastic net retaining ropes to the hoist rope with a snap hook (M2223). See detail on following page.

While raising the net, weave the elastic net retaining ropes through the net.

Clip the bottom of the elastic net retaining ropes to the net anchors with tensioners (ROPE00131) and snap hooks.

	PART #	DESCRIPTION	QTY
1	732310741	ELASTIC ROPE; 290" LONG	6
2	732310742	ELASTIC ROPE; 404" LONG	6





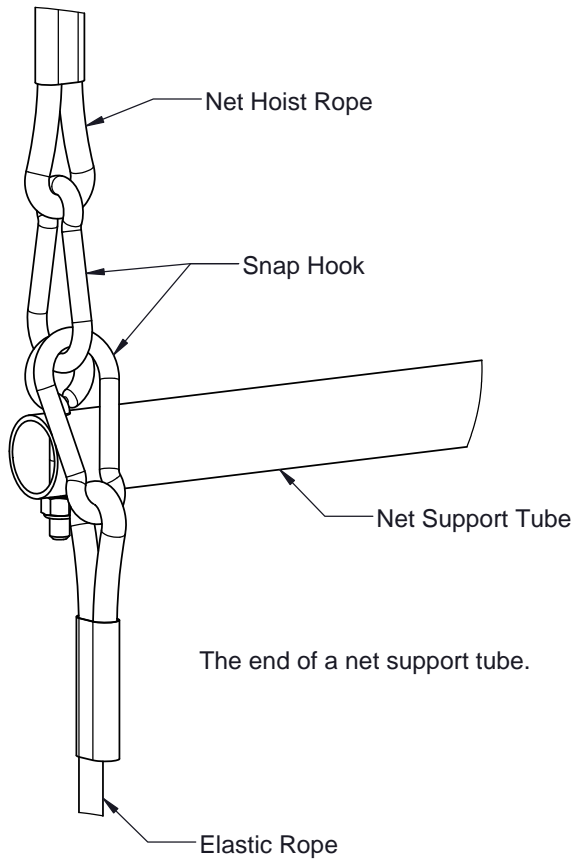
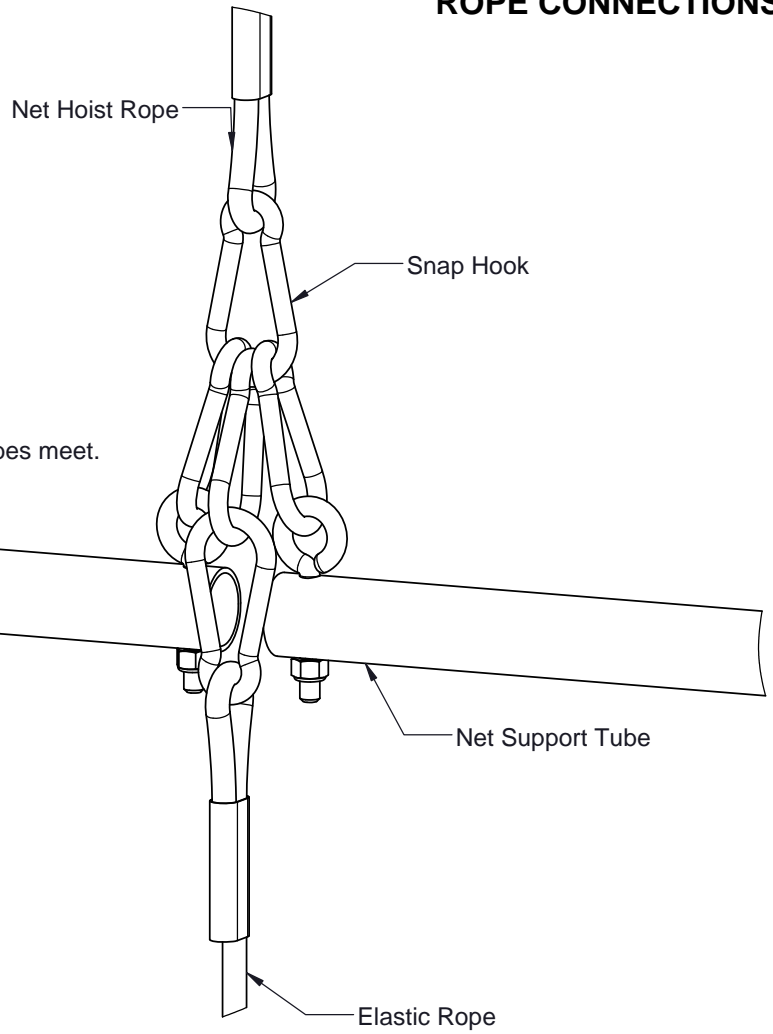
www.gillathletics.com
800-637-3090

732310 - THOR 10 HAMMER CAGE INSTRUCTIONS ROPE CONNECTIONS

Note: The net is not shown.

This is what the net support tube connections should look like.

Where two net support tubes meet.

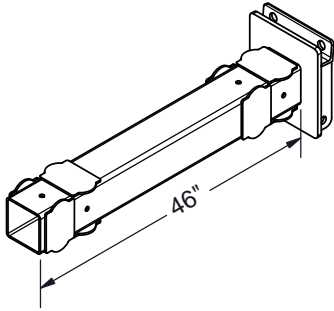




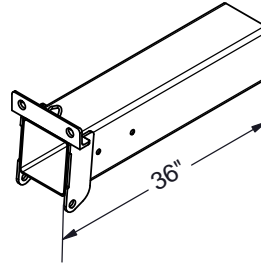
www.gillathletics.com
800-637-3090

732310 - THOR 10 HAMMER CAGE INSTRUCTIONS PARTS LIST 1

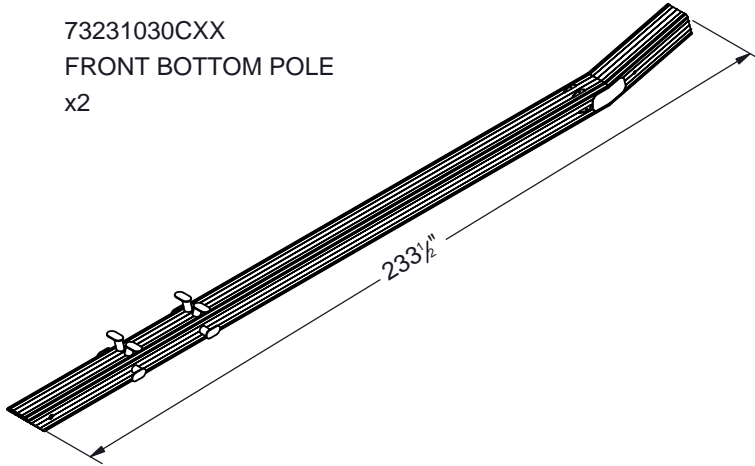
73230920
SPIGOT; HOT DIP GALVANIZED
x4



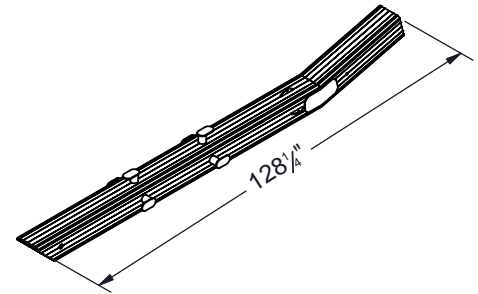
73230925
BOOT; HOT DIPPED GALVANIZED
x4



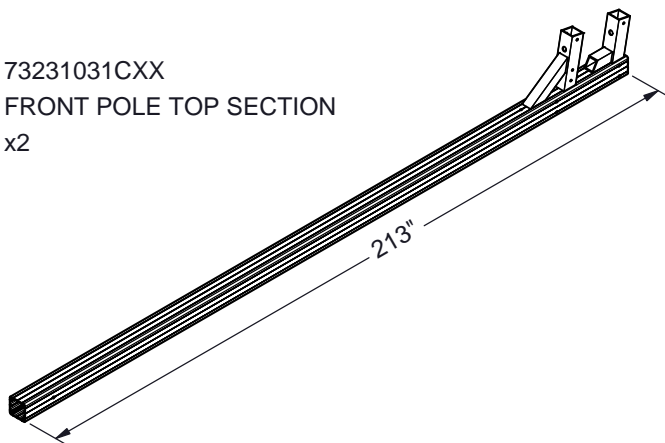
73231030CXX
FRONT BOTTOM POLE
x2



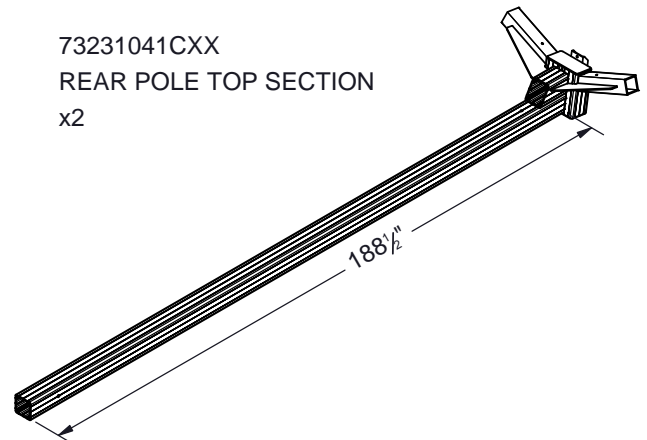
73231040CXX
REAR POLE BOTTOM SECTION
x2



73231031CXX
FRONT POLE TOP SECTION
x2



73231041CXX
REAR POLE TOP SECTION
x2

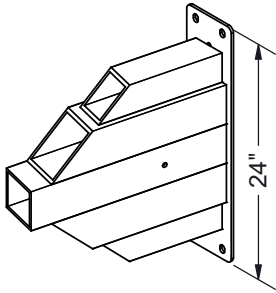




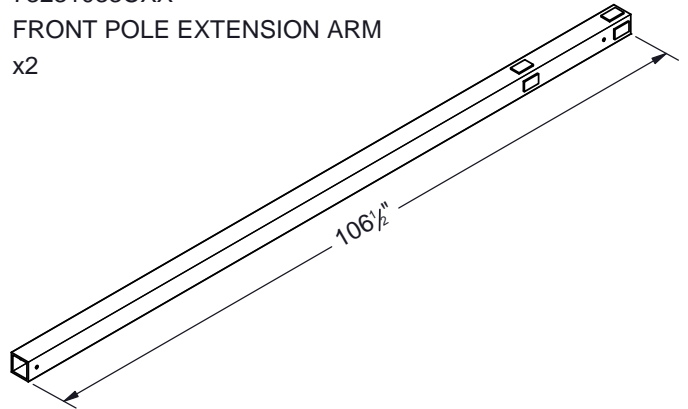
www.gillathletics.com
800-637-3090

**732310 - THOR 10 HAMMER CAGE
INSTRUCTIONS
PARTS LIST 2**

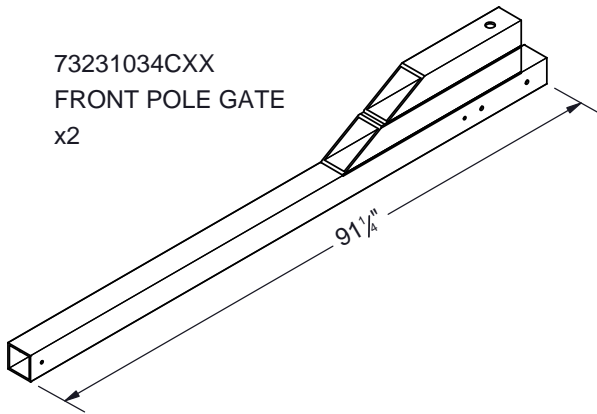
73231032CXX
FRONT POLE OFFSET SOCKET
x2



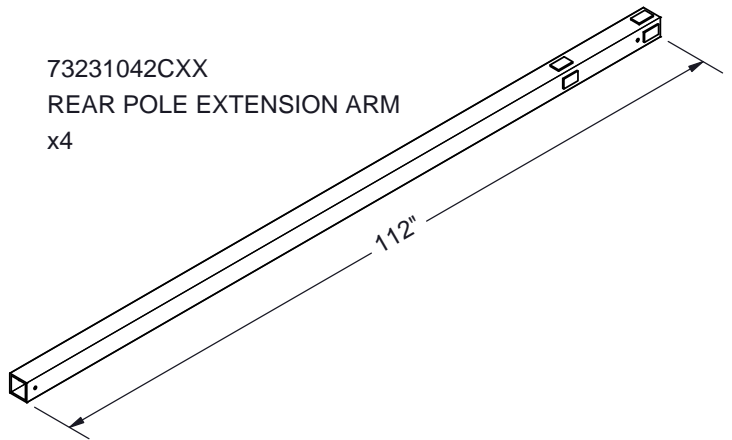
73231033CXX
FRONT POLE EXTENSION ARM
x2



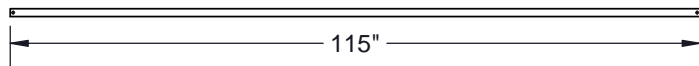
73231034CXX
FRONT POLE GATE
x2



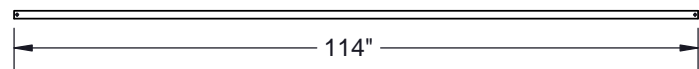
73231042CXX
REAR POLE EXTENSION ARM
x4



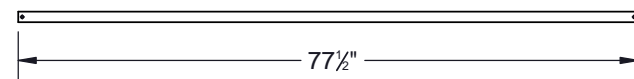
73231054
NET SUPPORT TUBE - SHORT PANELS
x5



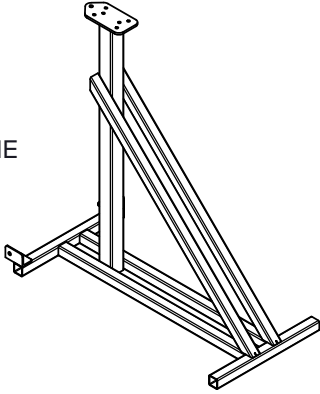
73231055
NET SUPPORT TUBE - TALL PANELS
x2



73231056
NET SUPPORT TUBE - DOORS
x2



73231080
 WINCH FRAME
 x1



WINH00112
 1800 WORKING LOAD LIMIT HAND WINCH
 x1

7323108060
 WINCH FRAME HDWE
 x1

73231060
 Thor 10 Hardware Box
 x1

NETS00057
 THOR 10 HAMMER CAGE NET
 x1

Part #	Description	QTY
73231061	DOOR HINGE AXLE	2
73231062	BOOT HDWE BAG	4
73231063	FRONT POLE SPLICE HDWE BAG	2
73231064	FRONT POLE EXTENSION ARM HDWE BAG	2
73231065	FRONT POLE GATE HDWE BAG	2
73231066	REAR POLE SPLICE HDWE BAG	2
73231067	REAR POLE TOP HDWE BAG	2
73231068	ROPE HDWE BAG	1
7323107134	ROPE; 5/16" POLYESTER; 34' LONG	2
7323107152	ROPE; 5/16" POLYESTER; 52' LONG	2
7323107172	ROPE; 5/16" POLYESTER; 72' LONG	6
7323107186	THOR 10 ROPE; 5/16" POLYESTER; 86' LONG	4
M1250	LOOSE LEAF RING 1"	12
M2322	THROWING CAGE WARNING SIGN	3
	TOUCH UP PAINT	2
73231091CXX	LATCH PULL PIN ASSEMBLY	2
73231035CXX	STOP TUBE	2
73231092CXX	LATCH STRIKE PLATE WELDMENT WITH HDWE; LEFT	1
73231093CXX	LATCH STRIKE PLATE WELDMENT WITH HDWE; RIGHT	1
732310741	ADJUSTABLE BUNGEE CORD; FOR SHORT PANEL	6
732310742	ADJUSTABLE BUNGEE CORD; FOR TALL PANEL	6
732310743	ADJUSTABLE BUNGEE CORD; FOR HOIST CABLES	4
732310731	HOIST WIRE ROPE; 344" LONG	2
732310732	HOIST WIRE ROPE; 238" LONG	2