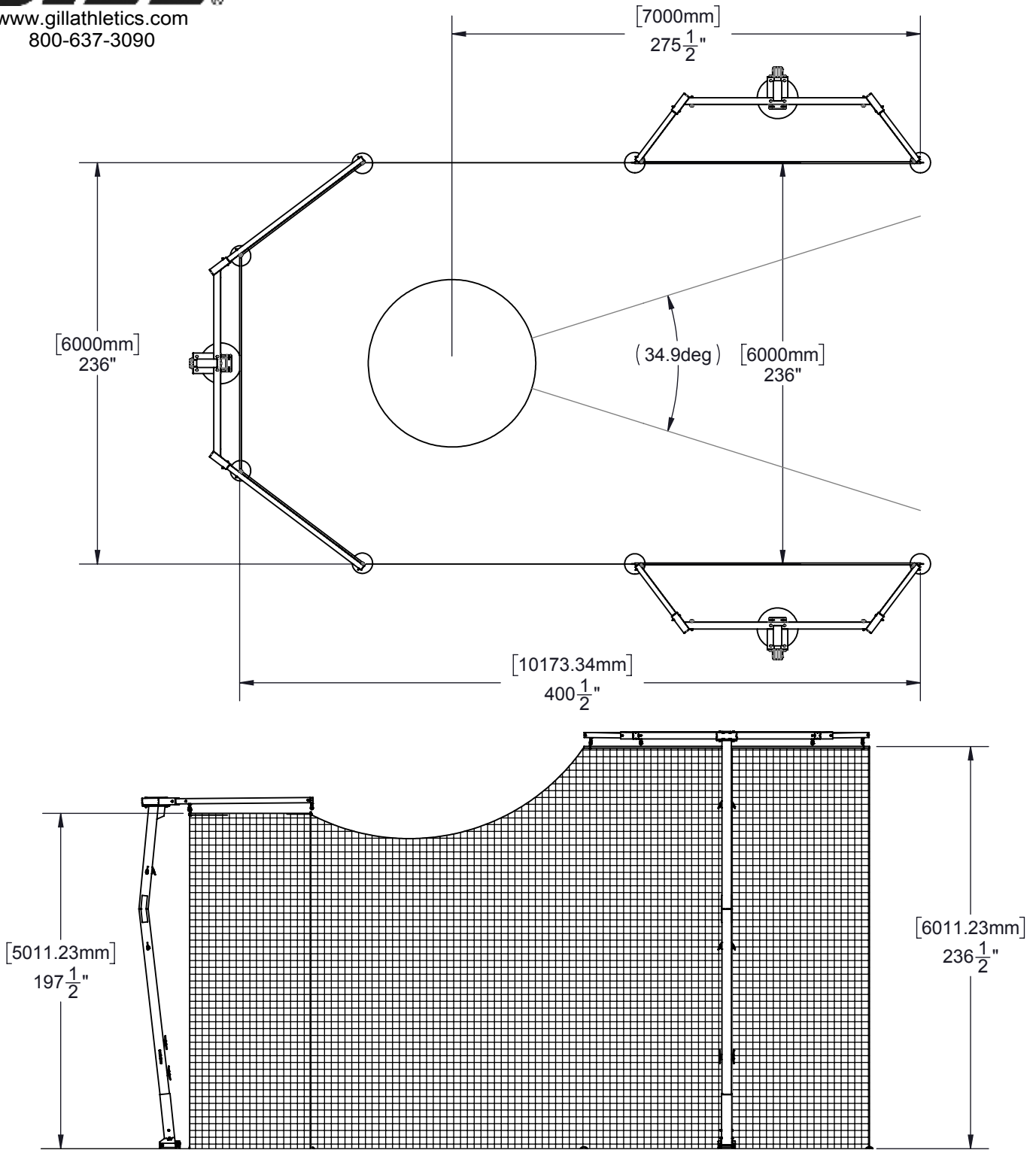




www.gillathletics.com
800-637-3090

732301 - APOLLO DISCUS CAGE INSTRUCTIONS



THE 732301, APOLLO DISCUS CAGE, CONSISTS OF 3 HEAVY DUTY ALUMINUM NET POLES. THE UNIQUE POLE STRUCTURE REDUCES THE INCIDENCE OF IMPLEMENT IMPACT AND THEREBY REDUCING NET DAMAGE AND POLE DAMAGE.

GROUND SLEEVE AND ANCHOR KIT (732301009) IS SOLD SEPARATELY.

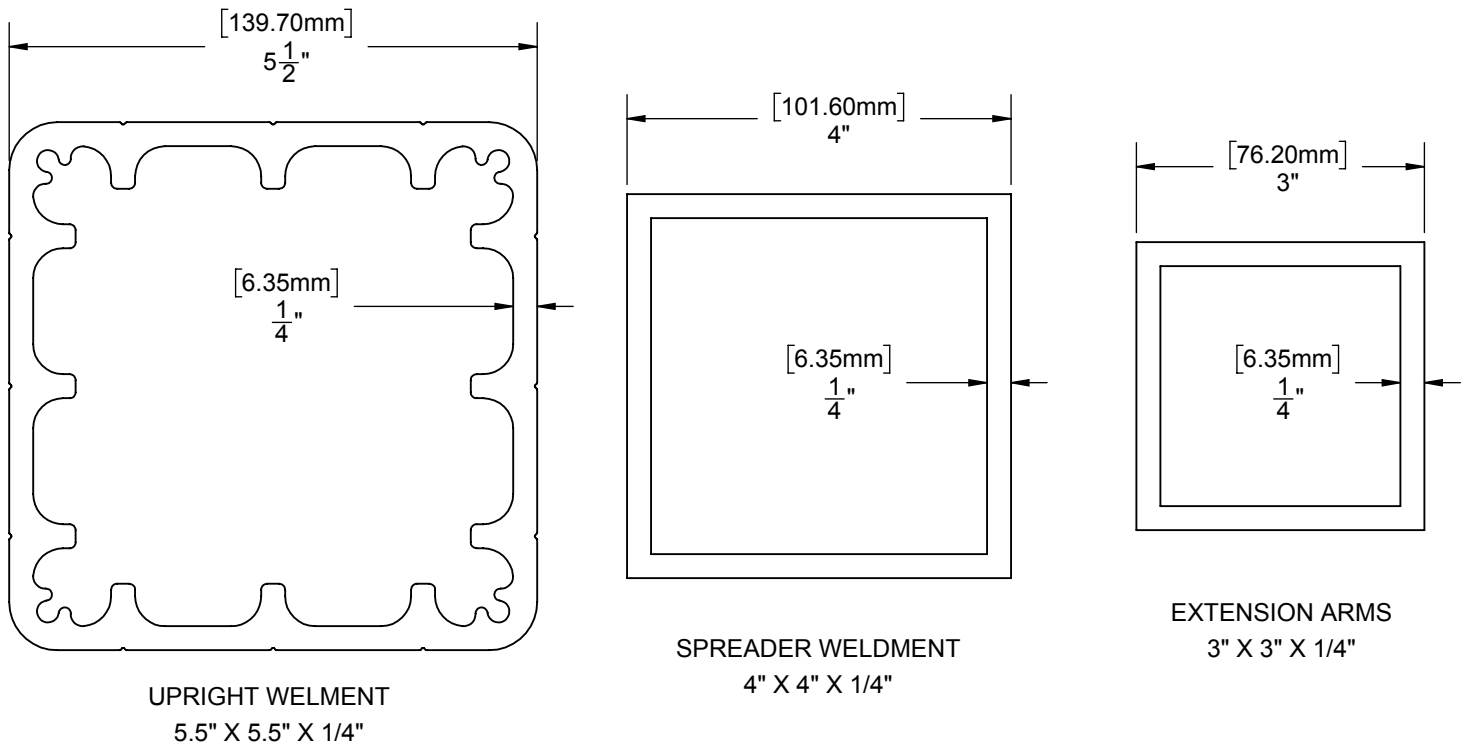
WARNING: This product can expose you to Titanium Dioxide, which is known to the State of California to cause cancer. For more information go to www.p65warnings.ca.gov.



www.gillathletics.com
800-637-3090

732301 - APOLLO DISCUS CAGE INSTRUCTIONS

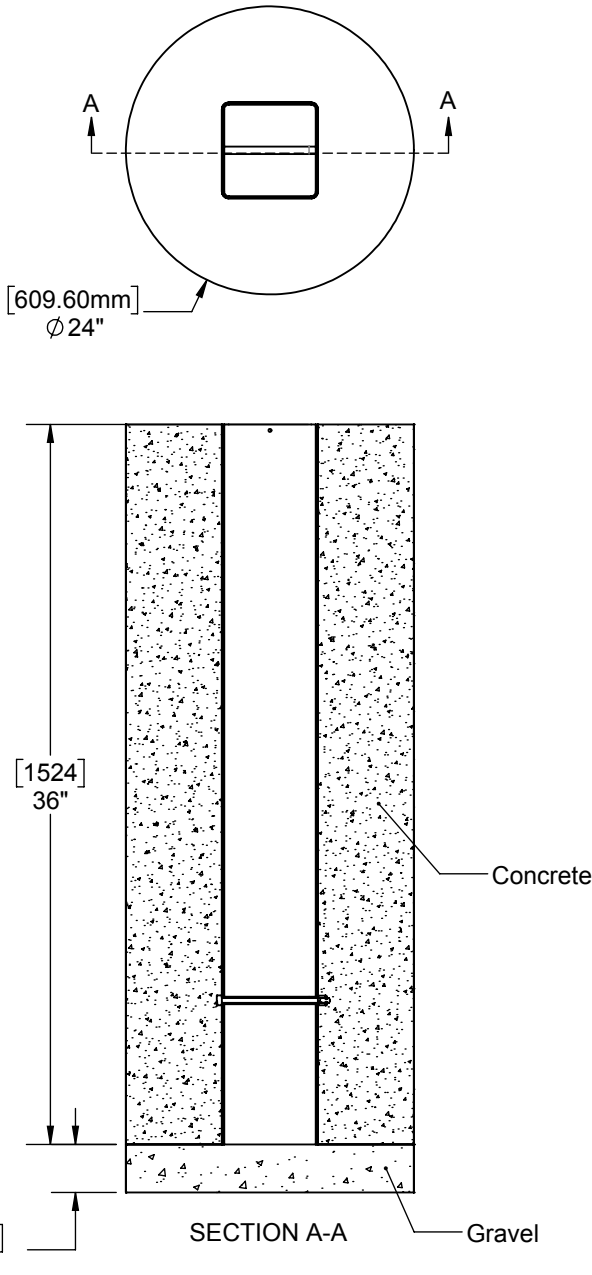
THE NET POLES ARE CUSTOM ALUMINUM EXTRUSIONS. THE POLES ARE BENT INWARD OFFSETTING THE NET. 5/16" NET ROPE SWIVEL PULLEYS WITH EYEBOLTS ATTACH TO THE TOP OF EACH NET POLE TO FACILITATE THE RAISING AND LOWERING OF THE NET. THE GROUND SLEEVES ARE 36" DEEP.



THE NETS ARE CONSTRUCTED OF 340 LB. TEST, #42A KNOTTED, WEATHER TREATED NYLON. THE NET IS SUPPORTED BETWEEN THE POLES BY GALVANIZED STEEL TUBES. THE BOTTOM OF THE NET IS SECURE TO NET GROUND ANCHORS.

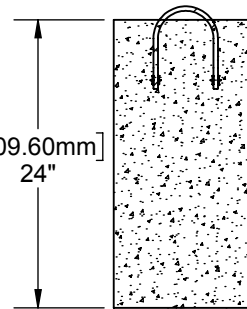
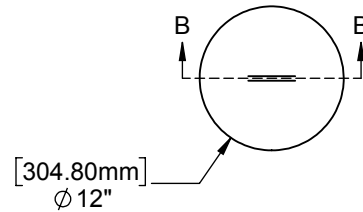
READ ALL OF THE INSTRUCTIONS BEFORE BEGINNING.

GROUND SLEEVE FOOTING



SLEEVES FOR ALL POLES CAN BE INSTALLED ON CRUSHED ROCK OR A CONCRETE BLOCK. TO ALLOW FOR DRAINAGE, SLEEVES SHOULD NOT BE COMPLETELY ENCASED IN CONCRETE.

NET ANCHOR FOOTING



SECTION B-B

CAST THE U-BOLTS INTO CONCRETE FOR THE NET ANCHOR FOOTINGS.

USE A 3/4" OR 1" DOWEL, PVC PIPE, ETC. TO SPAN THE HOLE OF THE FOOTING HANG TO UBOLT OVER THIS TO MAINTAIN ITS HEIGHT. PULL THE DOWEL OUT AFTER THE CONCRETE HAS CURED.

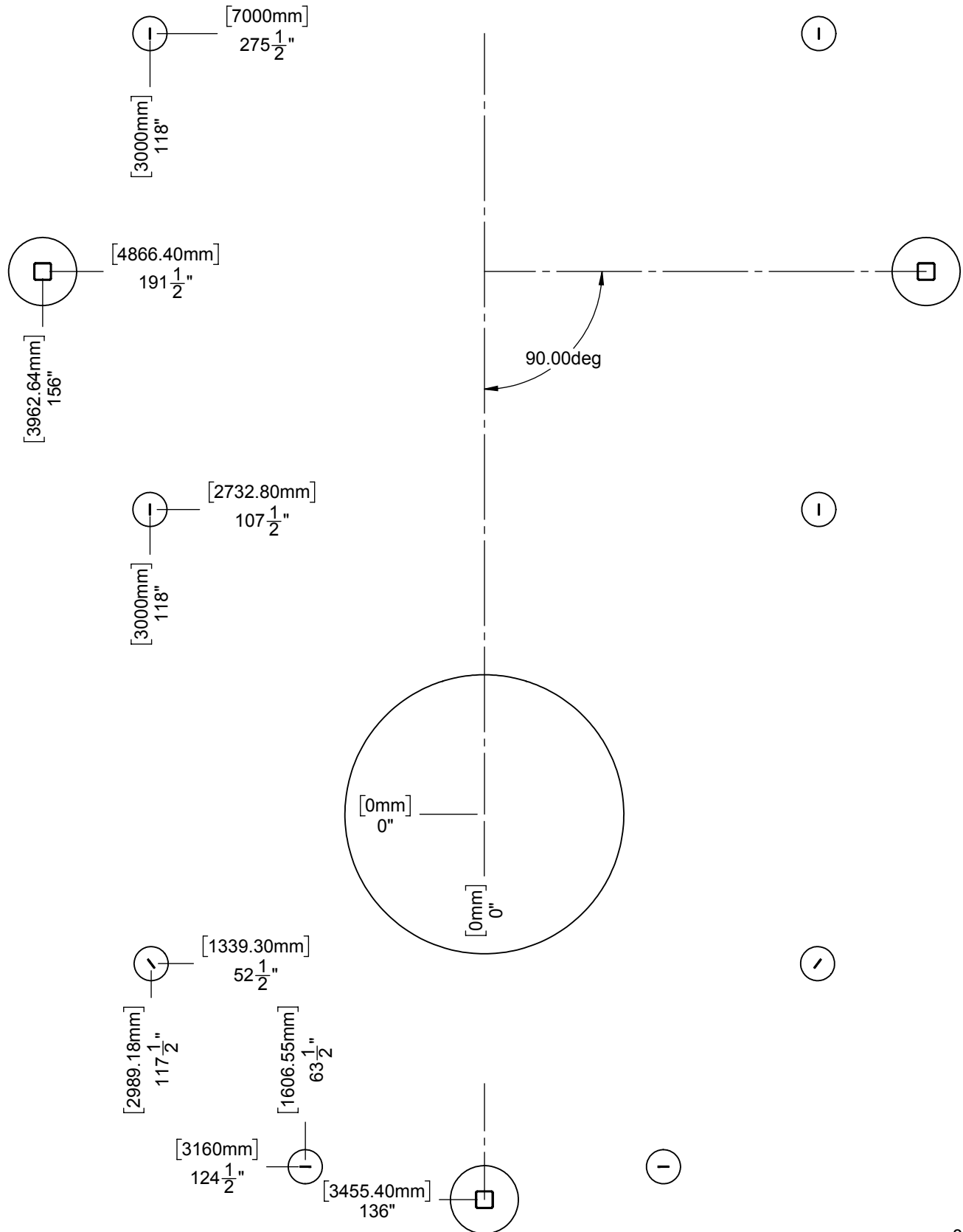
AFTER POURING THE CONCRETE PIERS, ALLOW THEM TO FULLY CURE.

THE DIMENSIONS OF THE CONCRETE PIERS SHOWN HERE SHOULD BE CONSIDERED THE MINIMUM REQUIREMENT. THE OVERALL DIMENSIONS OF THE CONCRETE PIERS ARE TO BE DETERMINED BY THE LOCAL CONTRACTOR AND SHOULD TAKE INTO CONSIDERATION THE LOCAL SOIL CONDITIONS, WATER TABLE, AND FROST LINE.



www.gillathletics.com
800-637-3090

732301 - APOLLO DISCUS CAGE INSTRUCTIONS

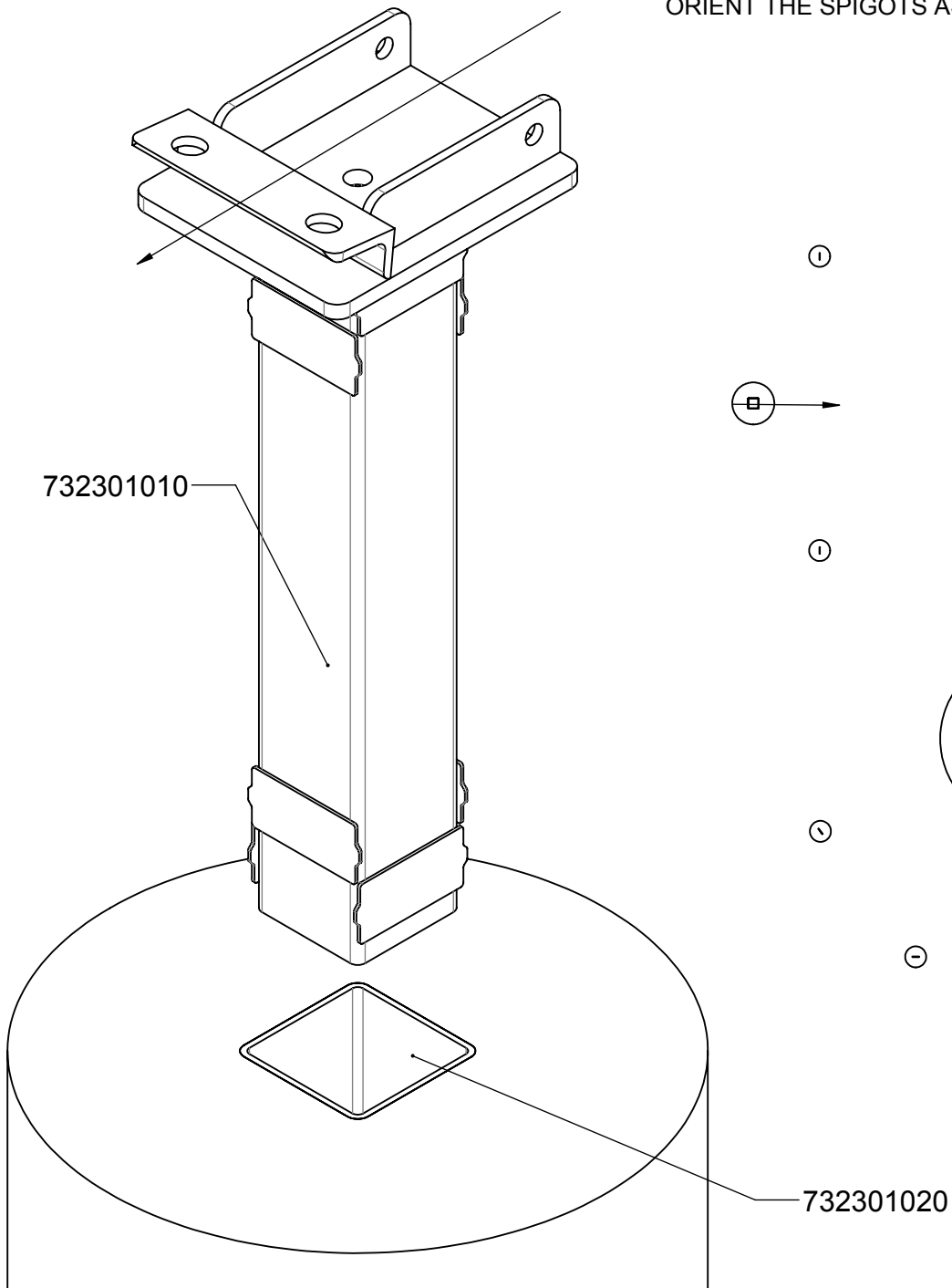


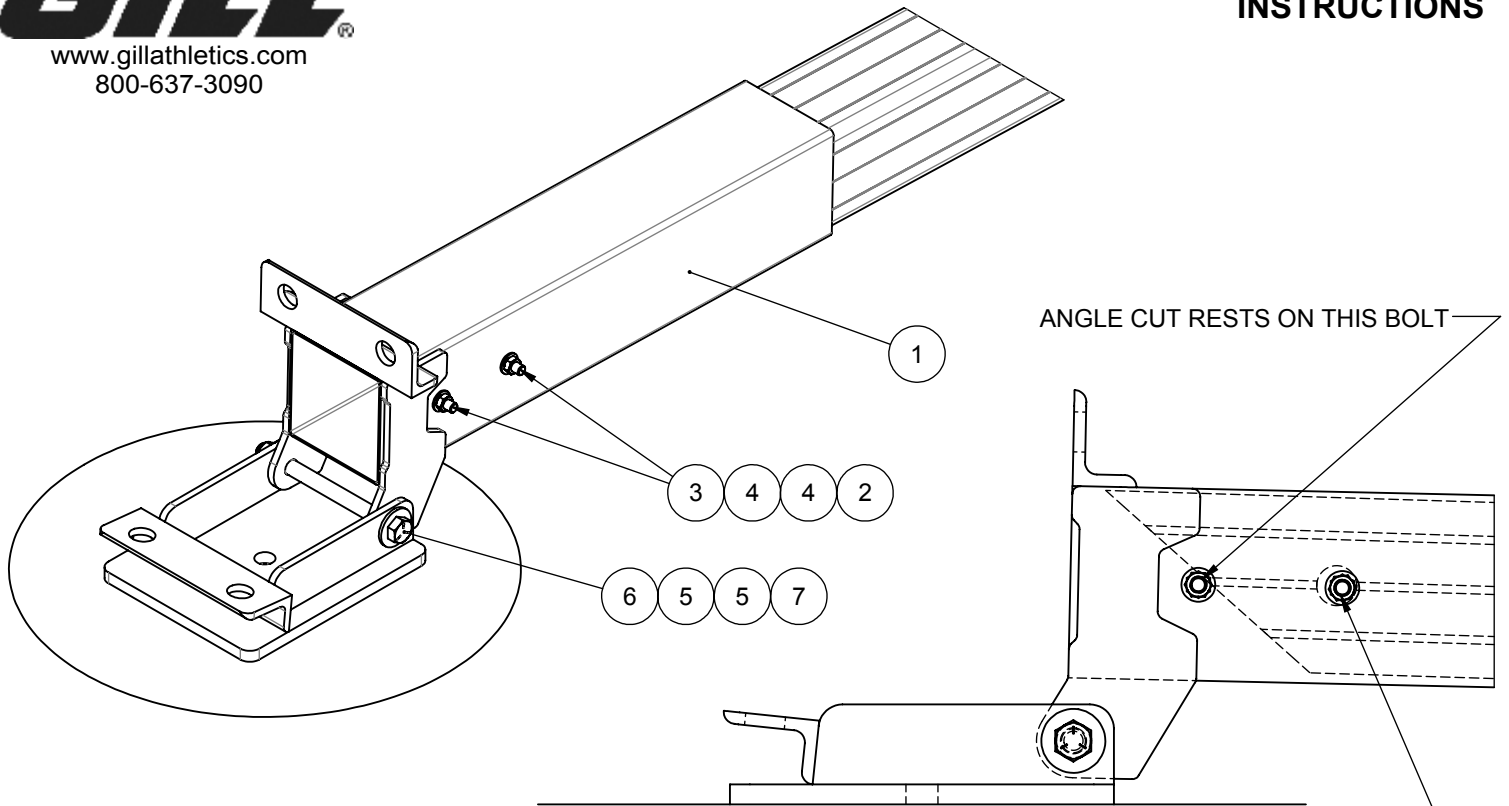


www.gillathletics.com
800-637-3090

732301 - APOLLO DISCUS CAGE INSTRUCTIONS

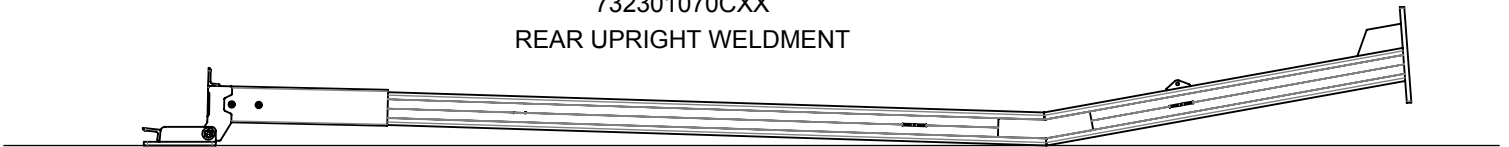
SLIDE THE SPIGOTS DOWN INTO THE GROUND SLEEVES.
ORIENT THE SPIGOTS AS SHOWN.



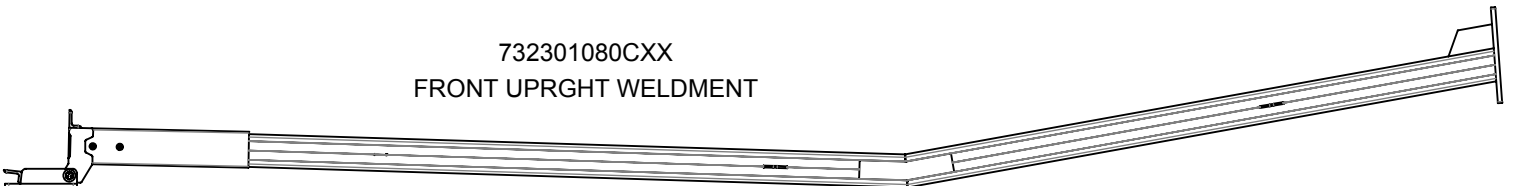


#	Part #	Description	QTY.
1	732301004	APOLLO HINGE SOCKET	1
2	HDWE050050E0	1/2" FLATWASHER	4
3	HDWE011850E0	1/2"-13 X 7" HEX BOLT GR 5	2
4	HDWE030210E0	1/2" - 13 NYLOCK NUT	2
5	HDWE050060E0	3/4" FLAT WASHER	2
6	HDWE09076	3/4" - 10 X 9" HEX BOLT GR 5	1
7	HDWE030680E0	3/4" - 10 NYLOCK NUT	1

732301070CXX
REAR UPRIGHT WELDMENT



732301080CXX
FRONT UPRIGHT WELDMENT



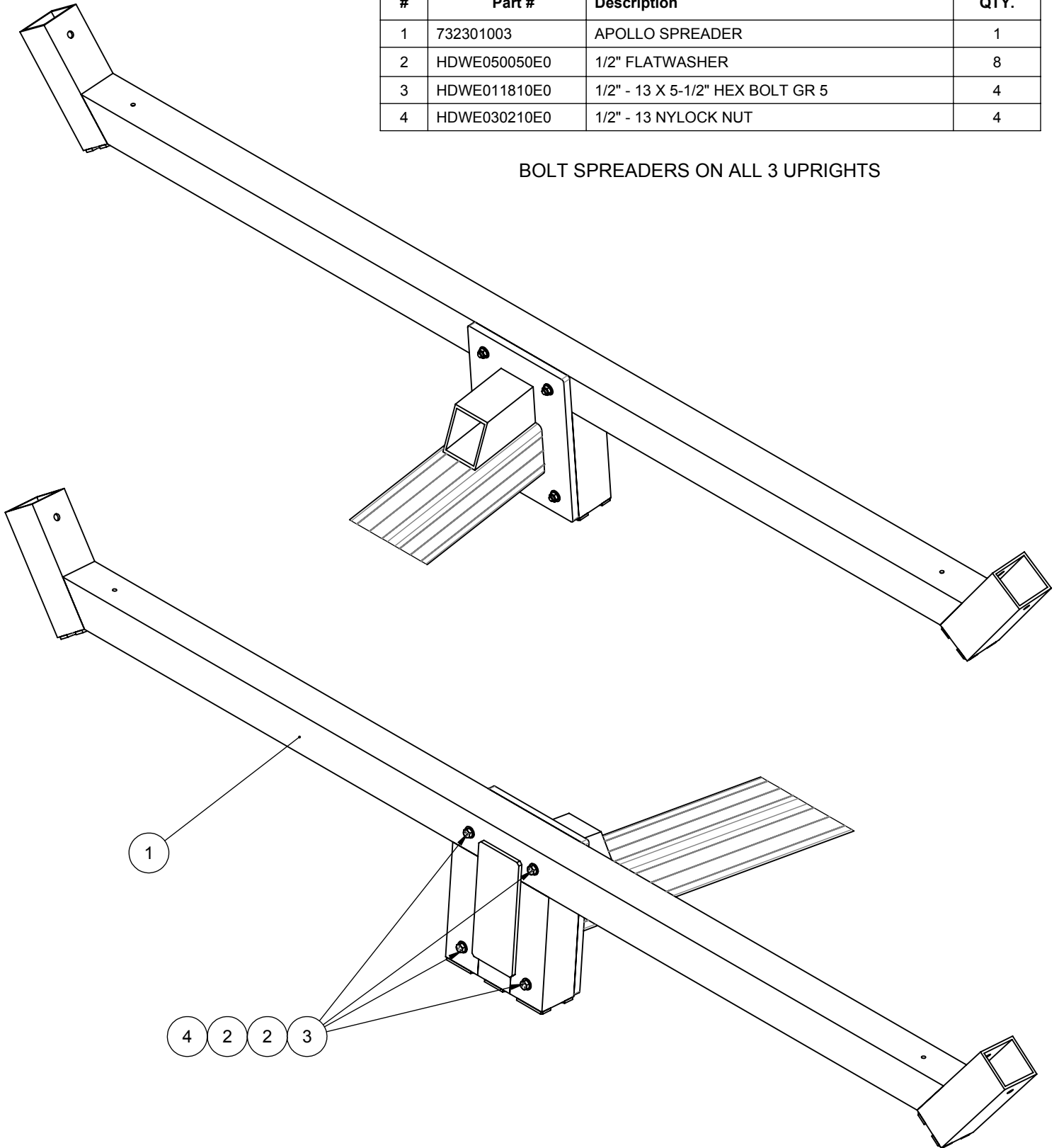


www.gillathletics.com
800-637-3090

732301 - APOLLO DISCUS CAGE INSTRUCTIONS

#	Part #	Description	QTY.
1	732301003	APOLLO SPREADER	1
2	HDWE050050E0	1/2" FLATWASHER	8
3	HDWE011810E0	1/2" - 13 X 5-1/2" HEX BOLT GR 5	4
4	HDWE030210E0	1/2" - 13 NYLOCK NUT	4

BOLT SPREADERS ON ALL 3 UPRIGHTS

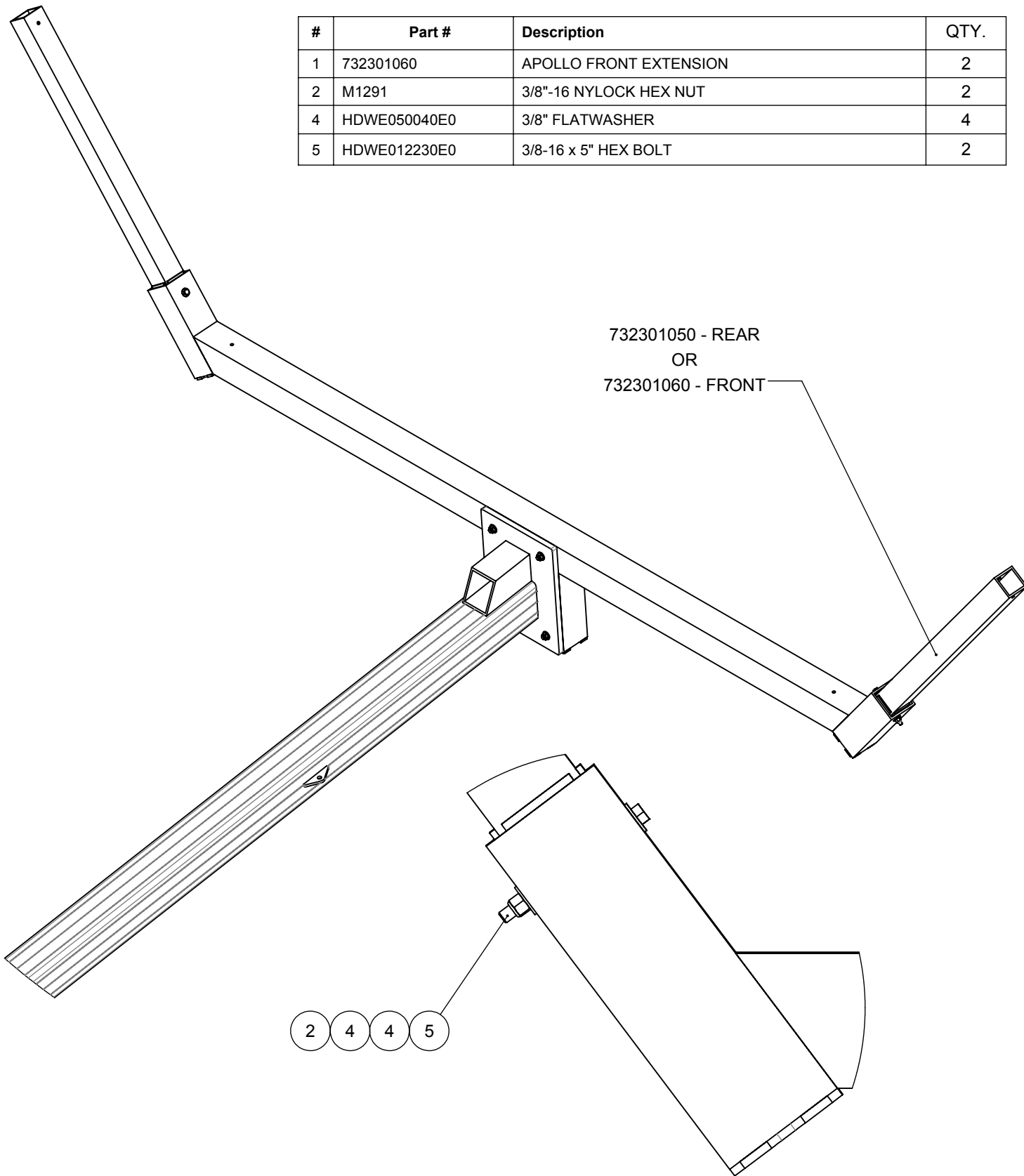




www.gillathletics.com
800-637-3090

732301 - APOLLO DISCUS CAGE INSTRUCTIONS

#	Part #	Description	QTY.
1	732301060	APOLLO FRONT EXTENSION	2
2	M1291	3/8"-16 NYLOCK HEX NUT	2
4	HDWE050040E0	3/8" FLATWASHER	4
5	HDWE012230E0	3/8-16 x 5" HEX BOLT	2



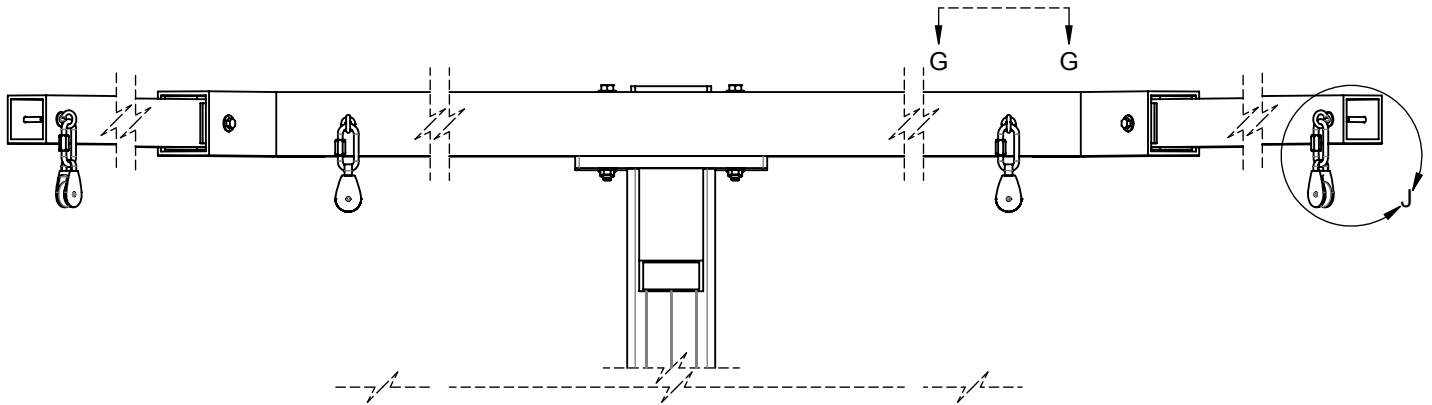
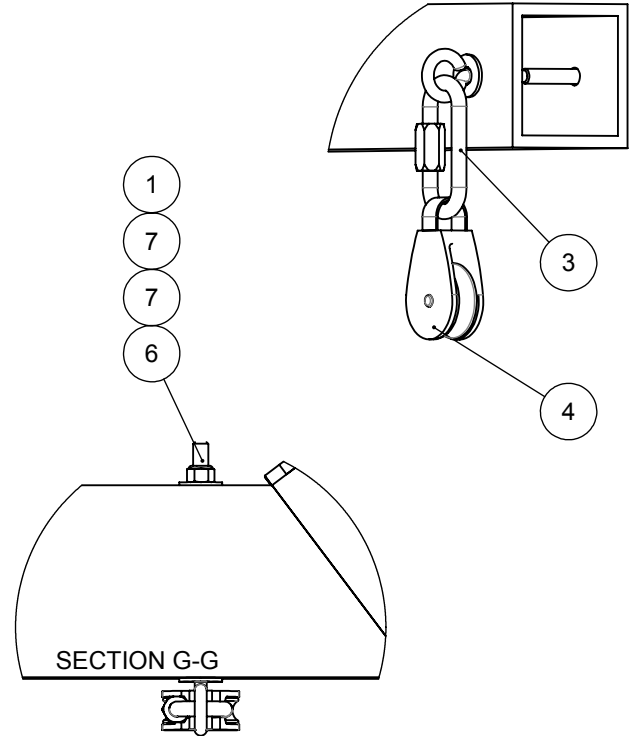


www.gillathletics.com
800-637-3090

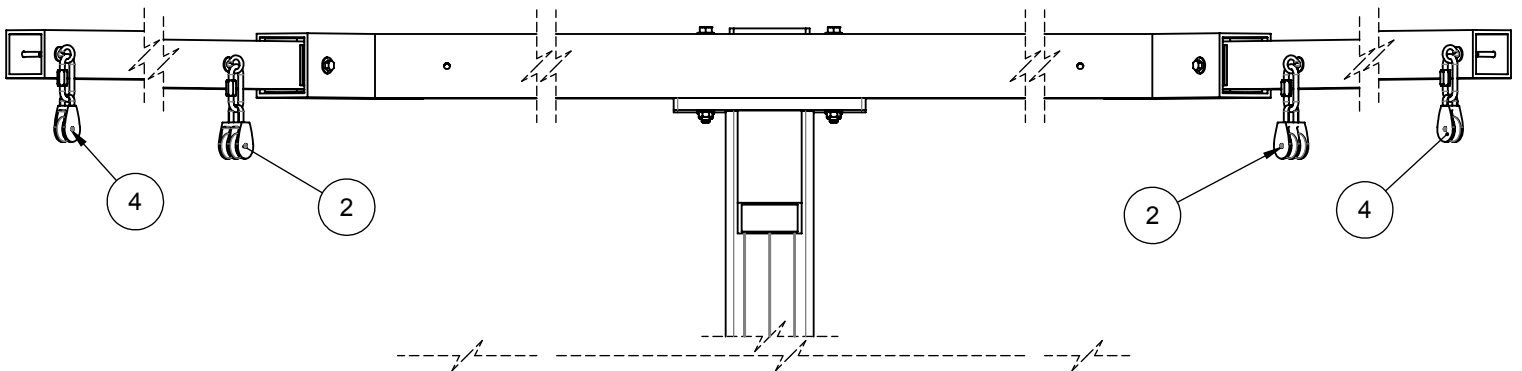
732301 - APOLLO DISCUS CAGE INSTRUCTIONS

#	Part #	Description	Qty.
1	M1254	5/16"-18 NYLOCK HEX NUT	12
2	PULY00103	DOUBLE PULLEY	2
3	CHAN00030	5/16" QUICK LINK	12
4	PULY00100	PULLEY	10
5	HDWE070230E0	EYE BOLT 5/16" - 18 X 4"	8
6	M2745	EYE BOLT 5/16" - 18 X 5"	4
7	HDWE050020E0	5/16" FLAT WASHER	24

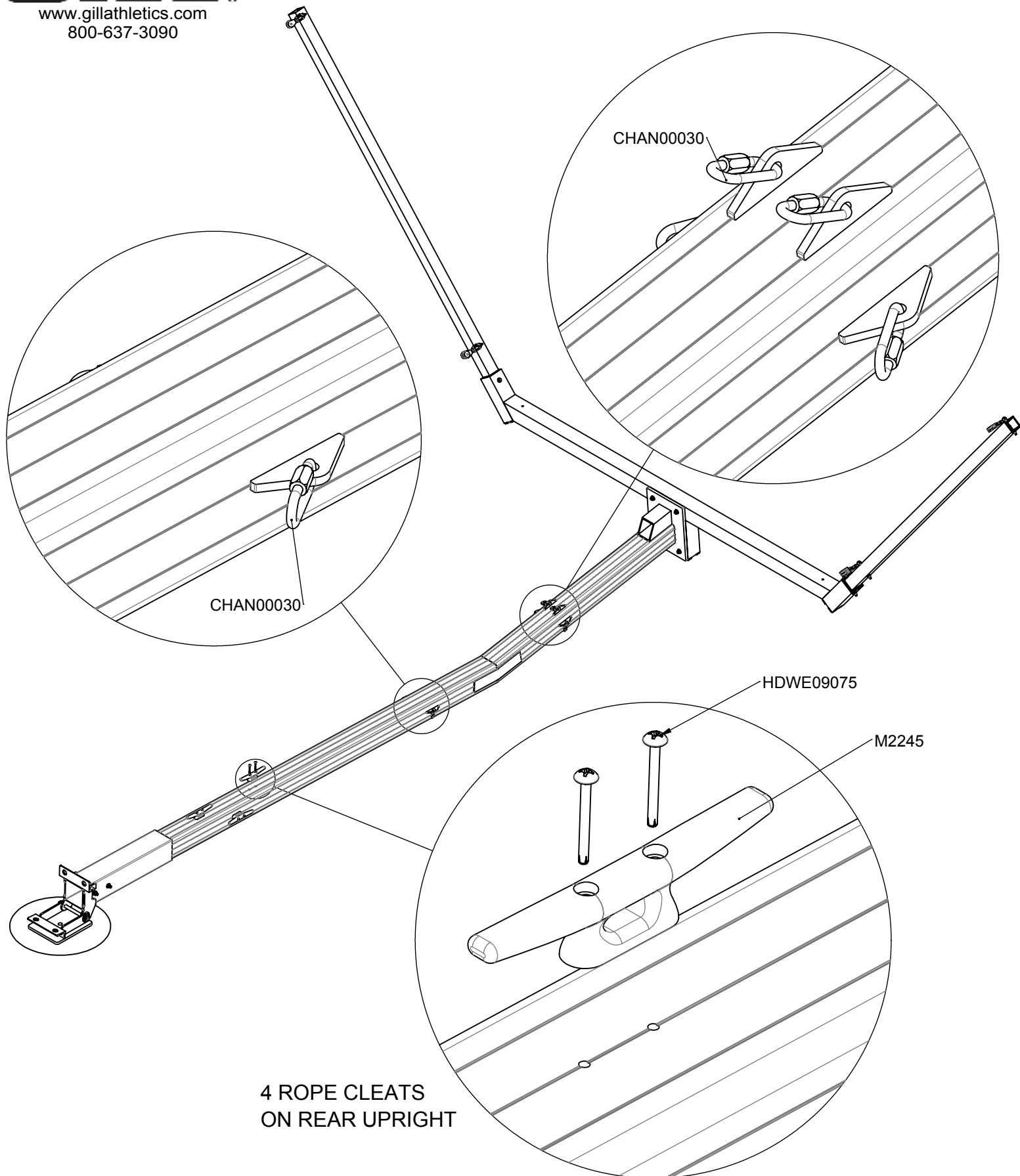
- HDWE070230E0 IS USED TO BOLT THROUGH EXTENSION ARMS (DETAIL J)
- M2745 IS USED TO BOLT THROUGH THE SPREADER (SECTION G-G)
- MAKE SURE OPEN END OF THE EYE BOLT IS FACING UPWARDS



FRONT UPRIGHTS



REAR UPRIGHT

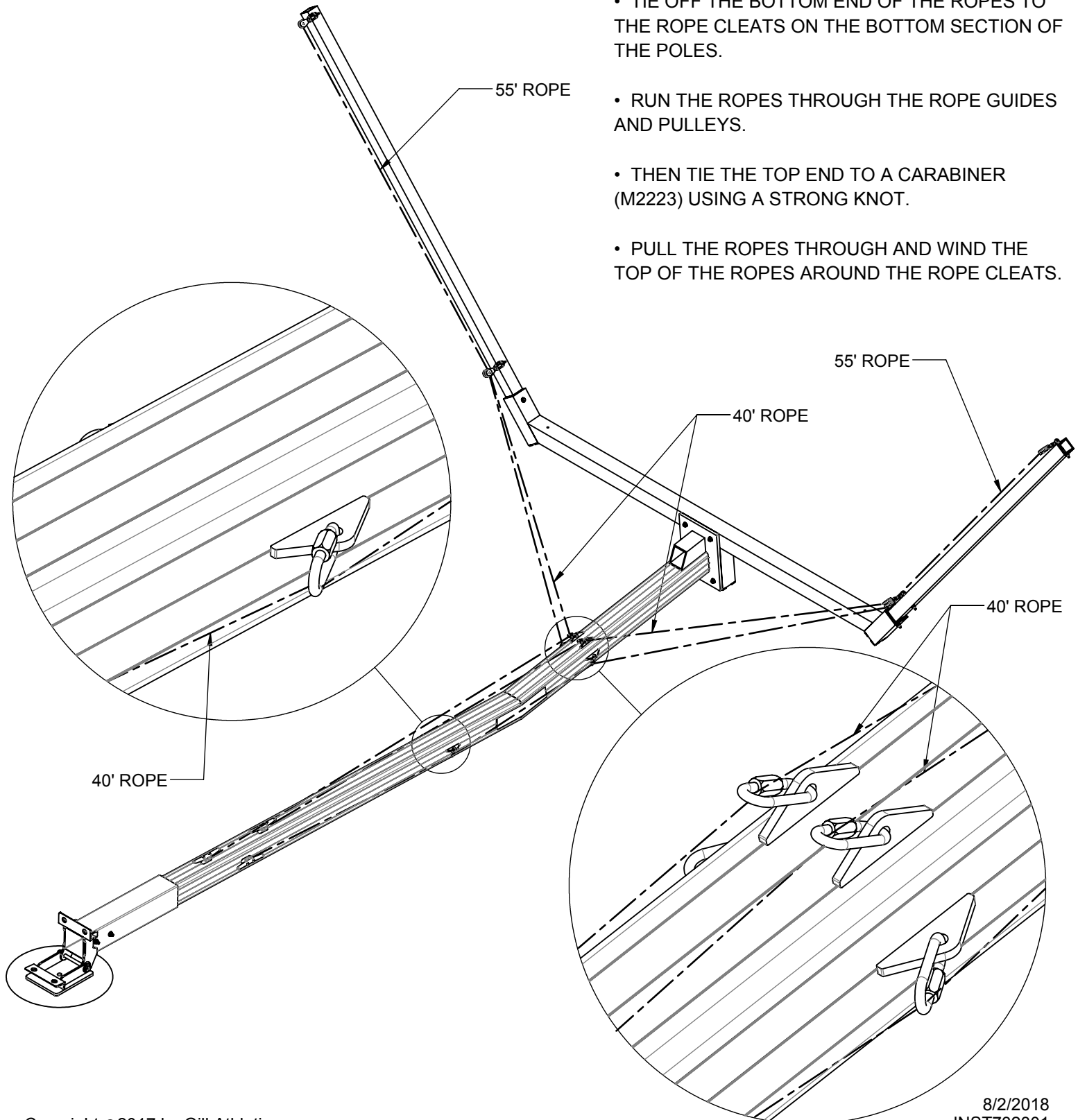




www.gillathletics.com
800-637-3090

732301 - APOLLO DISCUS CAGE INSTRUCTIONS

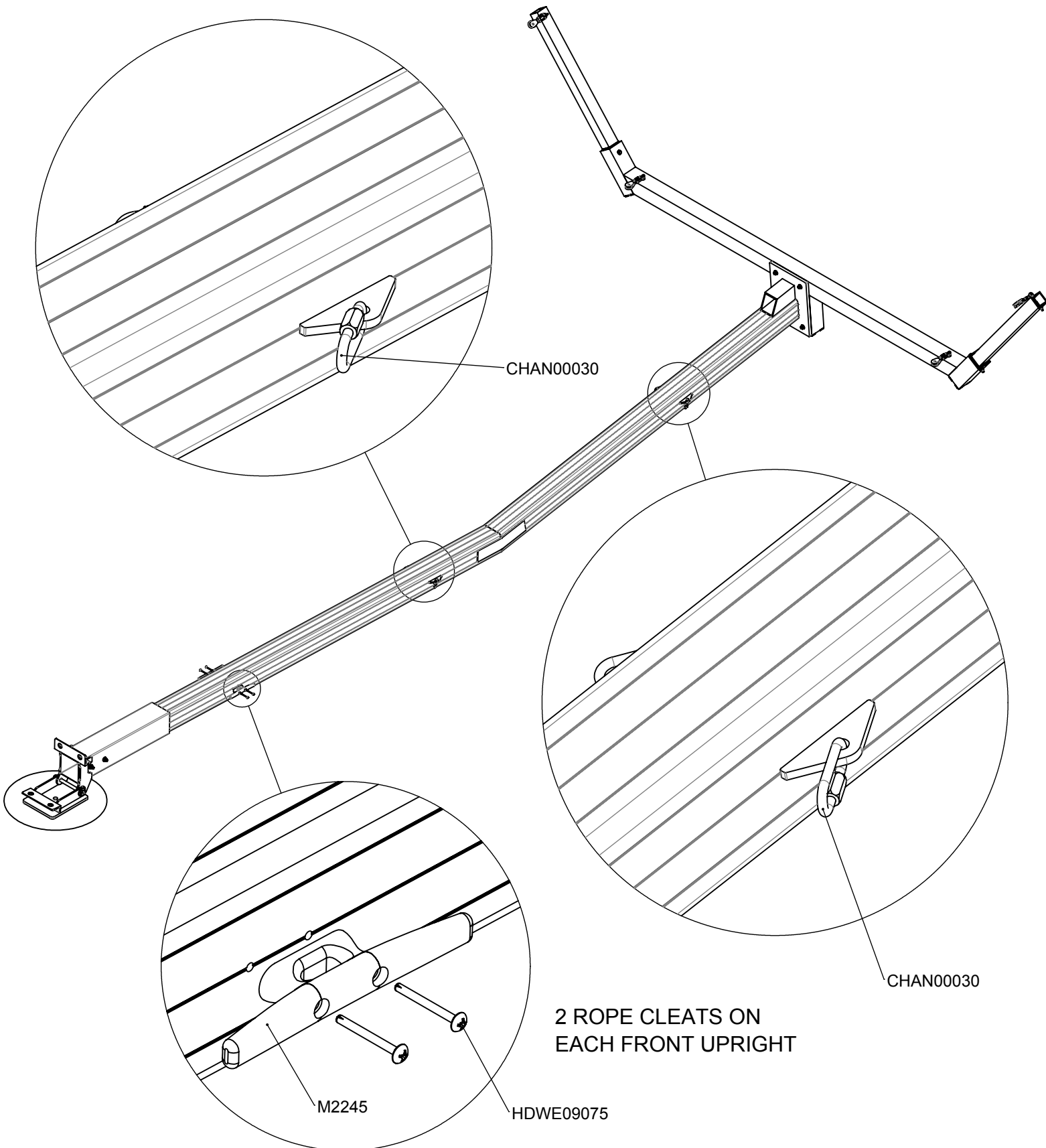
- IT IS IMPORTANT TO INSTALL THE ROPES BEFORE RAISING THE POLES.
- TIE OFF THE BOTTOM END OF THE ROPES TO THE ROPE CLEATS ON THE BOTTOM SECTION OF THE POLES.
- RUN THE ROPES THROUGH THE ROPE GUIDES AND PULLEYS.
- THEN TIE THE TOP END TO A CARABINER (M2223) USING A STRONG KNOT.
- PULL THE ROPES THROUGH AND WIND THE TOP OF THE ROPES AROUND THE ROPE CLEATS.





www.gillathletics.com
800-637-3090

732301 - APOLLO DISCUS CAGE INSTRUCTIONS

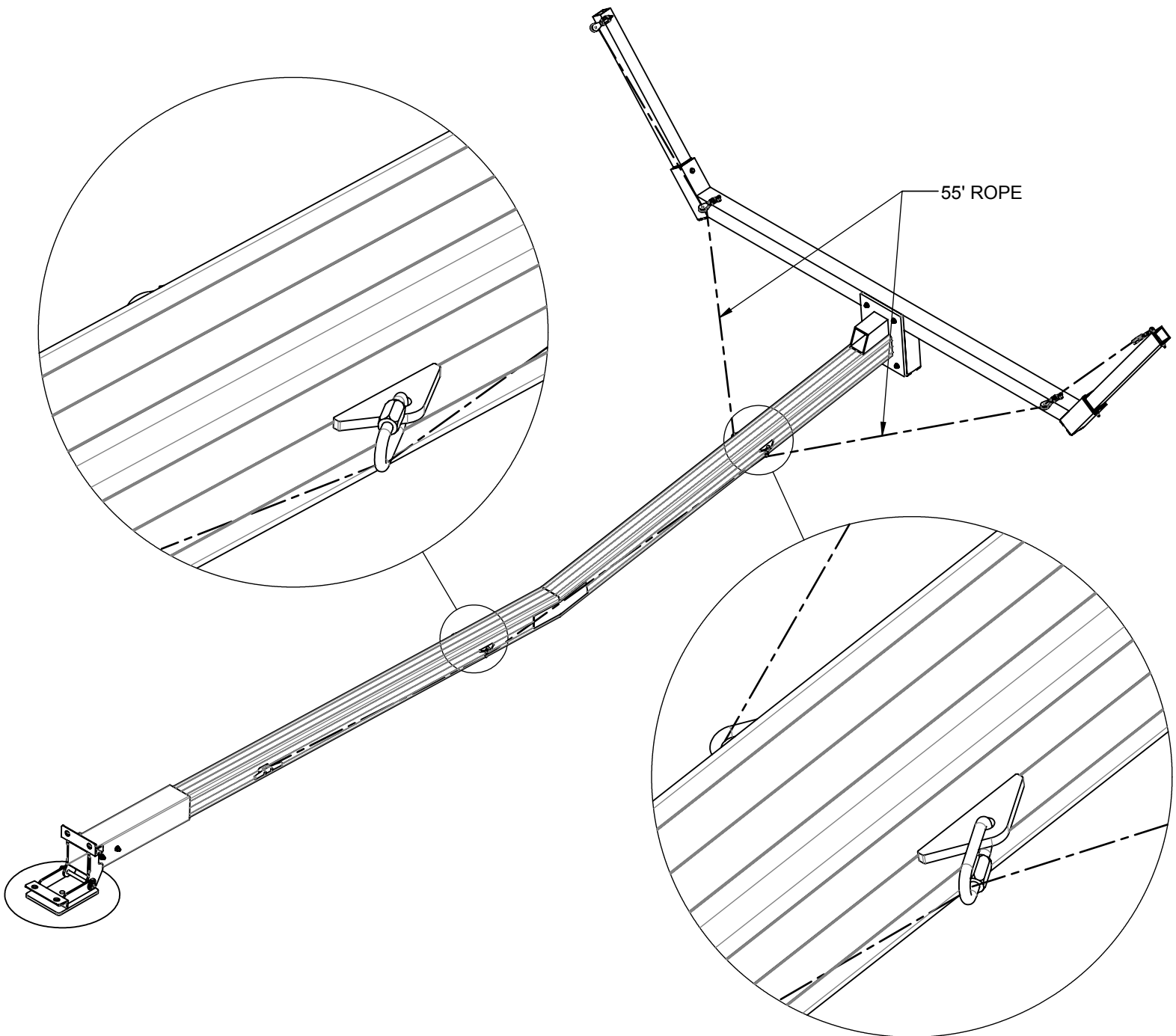




www.gillathletics.com
800-637-3090

732301 - APOLLO DISCUS CAGE INSTRUCTIONS

- IT IS IMPORTANT TO INSTALL THE ROPES BEFORE RAISING THE POLES.
- TIE OFF THE BOTTOM END OF THE ROPES TO THE ROPE CLEATS ON THE BOTTOM SECTION OF THE POLES.
- RUN THE ROPES THROUGH THE ROPE GUIDES AND PULLEYS.
- THEN TIE THE TOP END TO A CARABINER (M2223) USING A STRONG KNOT.
- PULL THE ROPES THROUGH AND WIND THE TOP OF THE ROPES AROUND THE ROPE CLEATS.





www.gillathletics.com
800-637-3090

732301 - APOLLO DISCUS CAGE INSTRUCTIONS

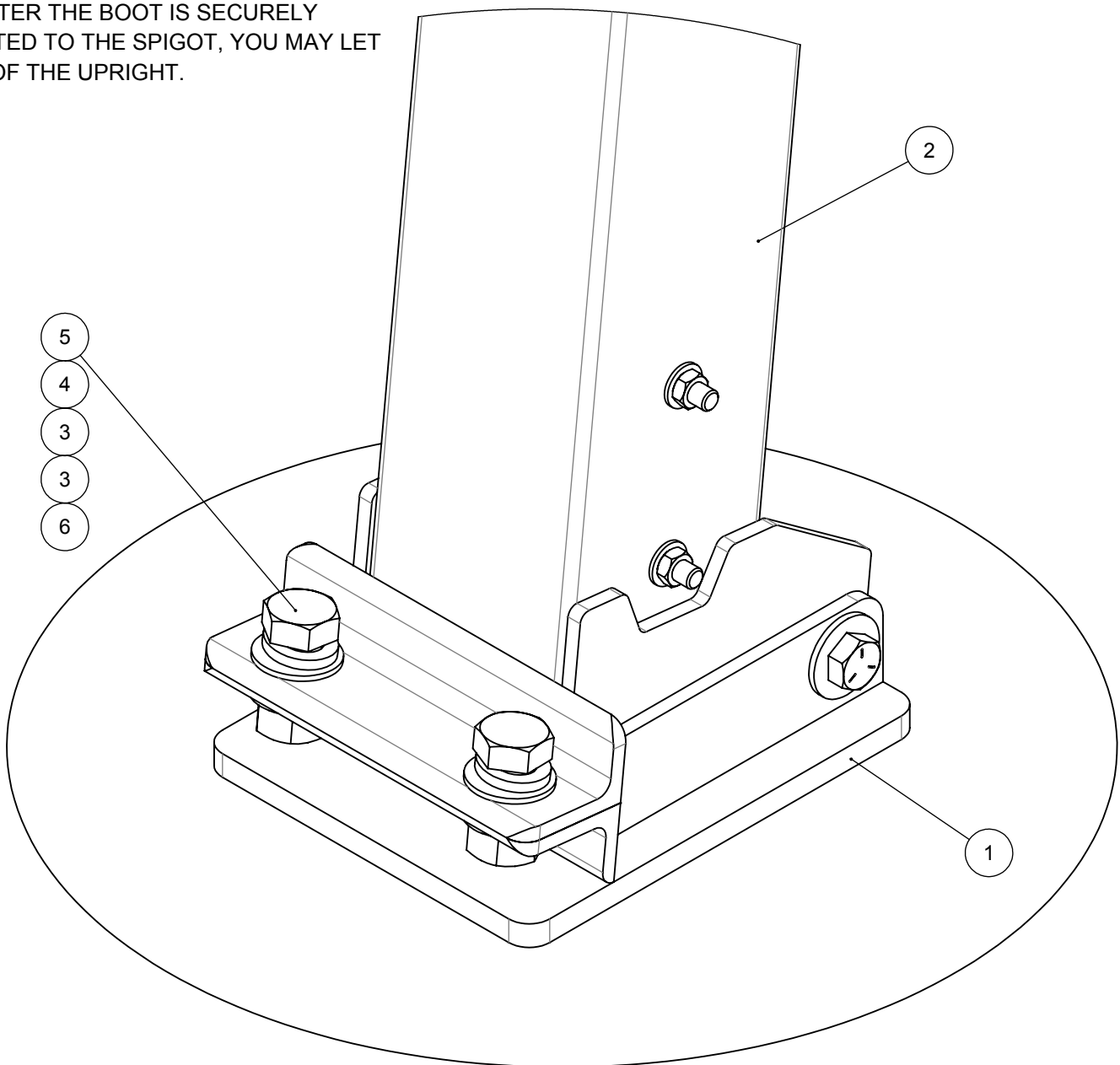
- GILL RECOMMENDS THAT A VEHICLE WITH A WINCH IS USED TO RAISE THE UPRIGHTS.

- IF ACCESS TO A WINCH IS NOT AVAILABLE, 3- 4 PEOPLE COULD RAISE THE UPRIGHTS MANUALLY.

- BOLT THE BOOT TO THE SPIGOT. DO NOT LET GO OF THE UPRIGHT UNTIL BOLTS ARE IN PLACE.

- AFTER THE BOOT IS SECURELY BOLTED TO THE SPIGOT, YOU MAY LET GO OF THE UPRIGHT.

#	Part #	Description	Qty.
1	732301001	APOLLO SPIGOT WELDMENT	1
2	732301004	APOLLO HINGE SOCKET	1
3	HDWE05027	1" FLAT WASHER	4
4	HDWE04022	1" LOCK WASHER; 18-8 SS	2
5	HDWE01303	1"-8 x 2.5" HEX BOLT; 18-8 SS	2
6	HDWE03105	1"-8 HEX NUT; 316 SS	2



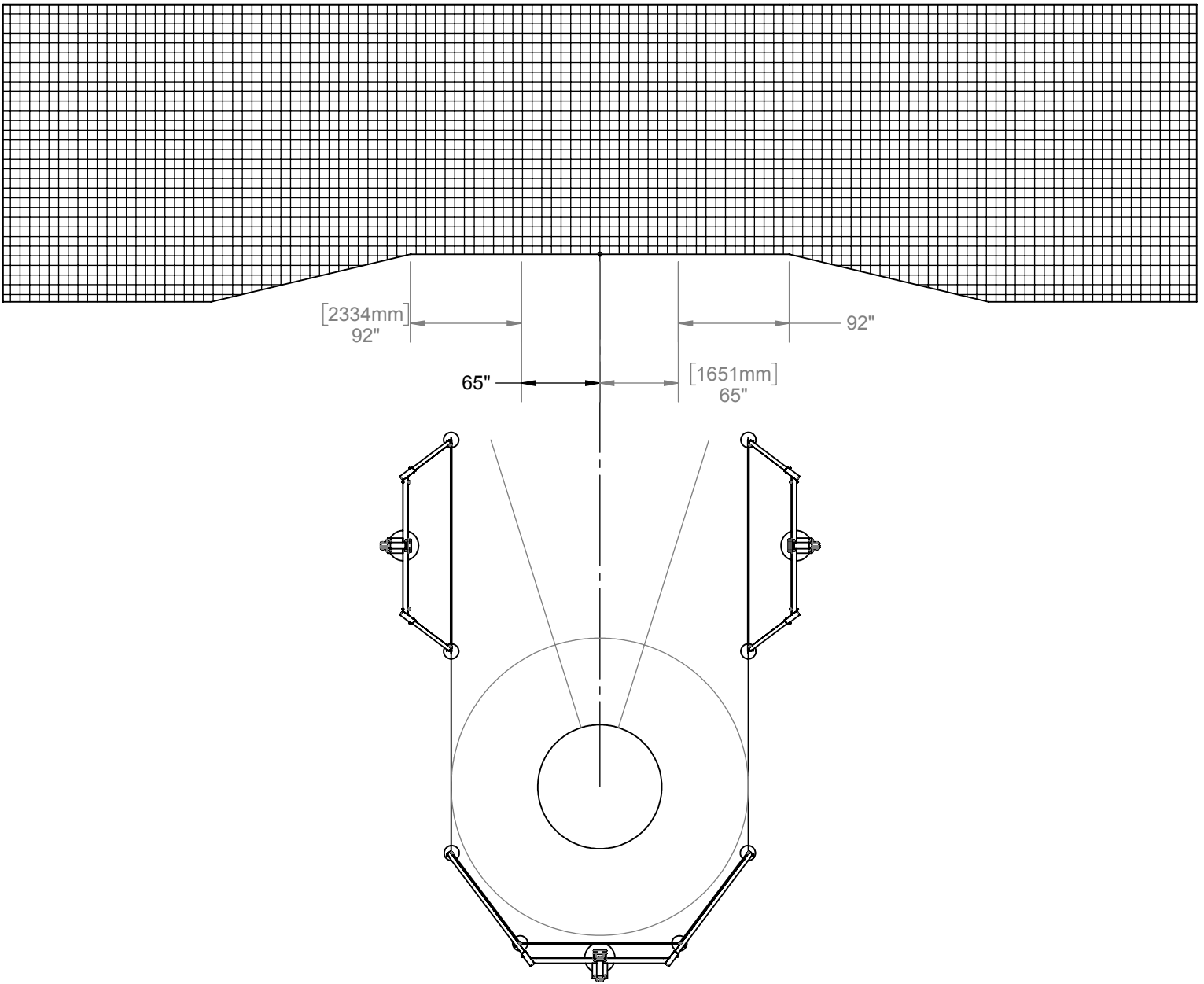


www.gillathletics.com
800-637-3090

732301 - APOLLO DISCUS CAGE INSTRUCTIONS

SPREAD THE NET OUT ON THE GROUND IN FRONT OF THE DISCUS CAGE. MARK THE TOP CENTER OF THE NET WITH SOME RIBBON OR WHITE MARKING SPRAY PAINT. MARK THE OTHER LOCATIONS SHOWN BELOW. THESE WILL HELP WHEN ATTACHING THE NET TO THE HOISTING ROPES. SOME ADJUSTMENT MAY BE NEEDED LATER.

PULLING FROM THE TOP MIDDLE OF THE NET, DRAG THE NET INTO THE CAGE.



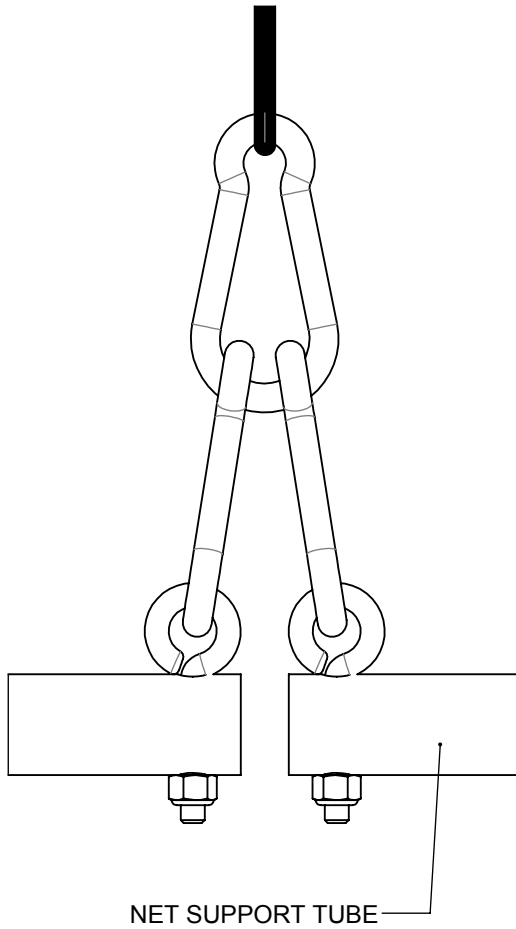


www.gillathletics.com
800-637-3090

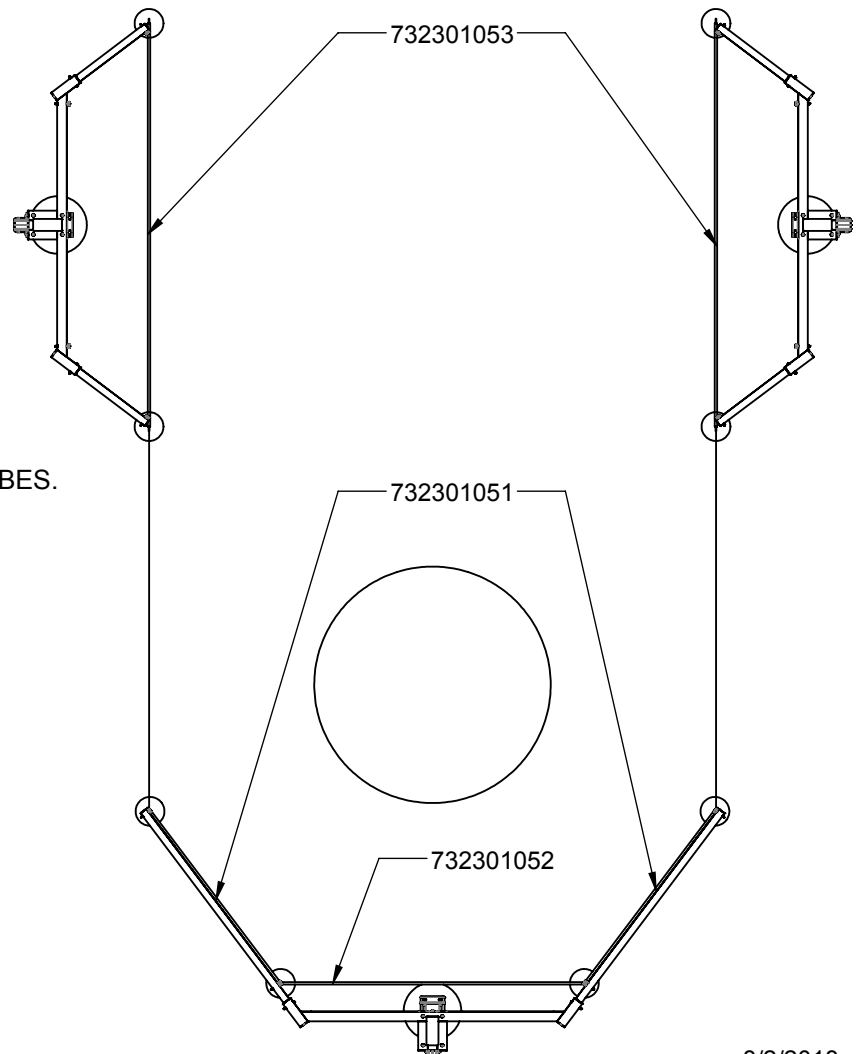
732301 - APOLLO DISCUS CAGE INSTRUCTIONS

THE NET HAS A FOLDED POCKET ALONG THE EDGE FOR THE NET SUPPORT TUBES.

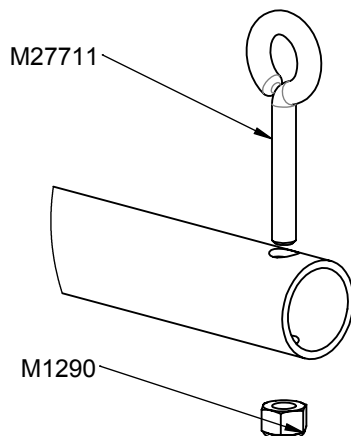
USING THE MARKS AS GUIDES, SLIDE THE NET SUPPORT TUBES INTO THE POCKET AND CLIP THEM TO THE HOIST ROPES AS SHOWN.



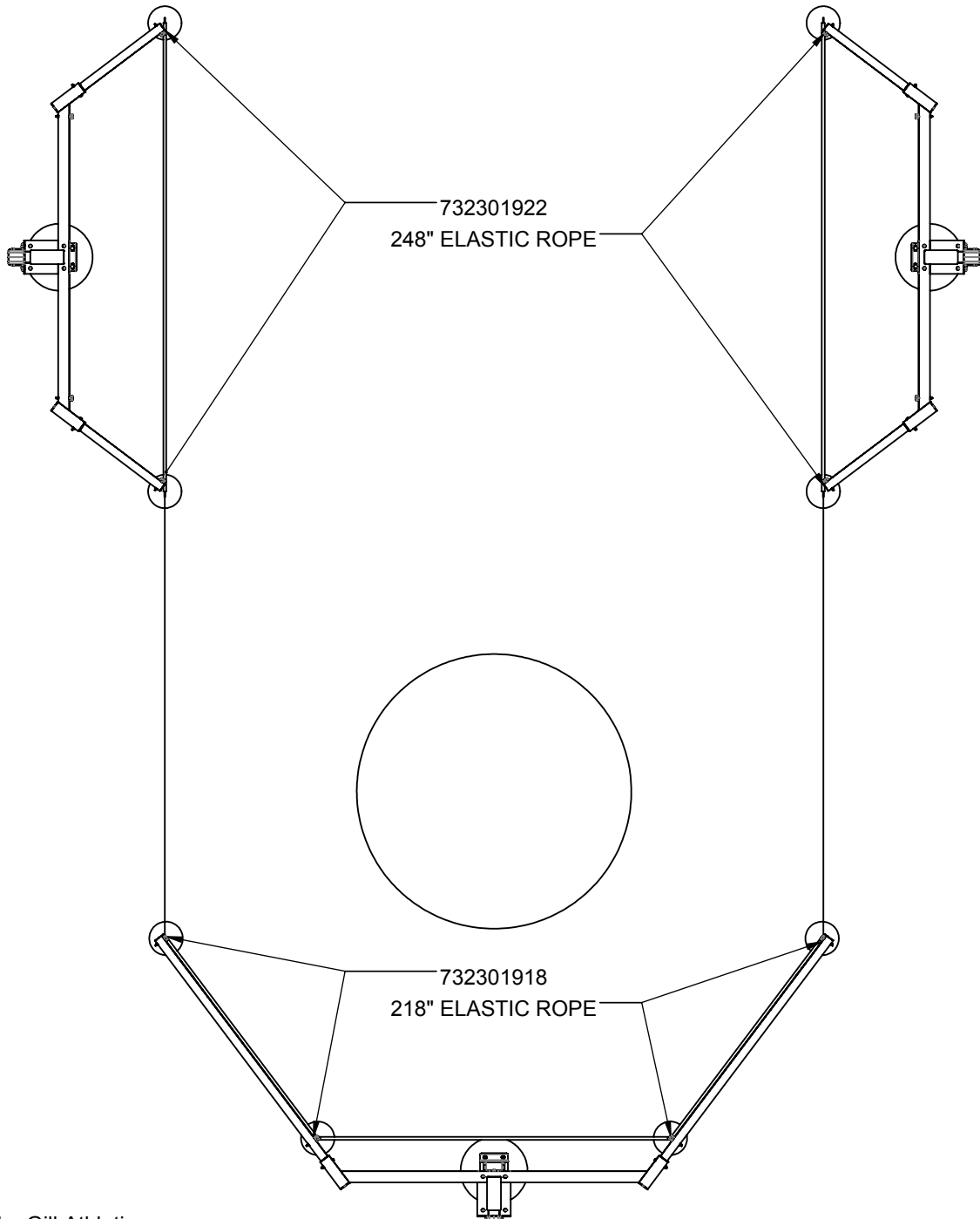
#	Part #	Description	QTY.
1	732301051	89.75" NET SUPPORT TUBE	2
2	732301052	126.5" NET SUPPORT TUBE	1
3	732301053	168" NET SUPPORT TUBE	2

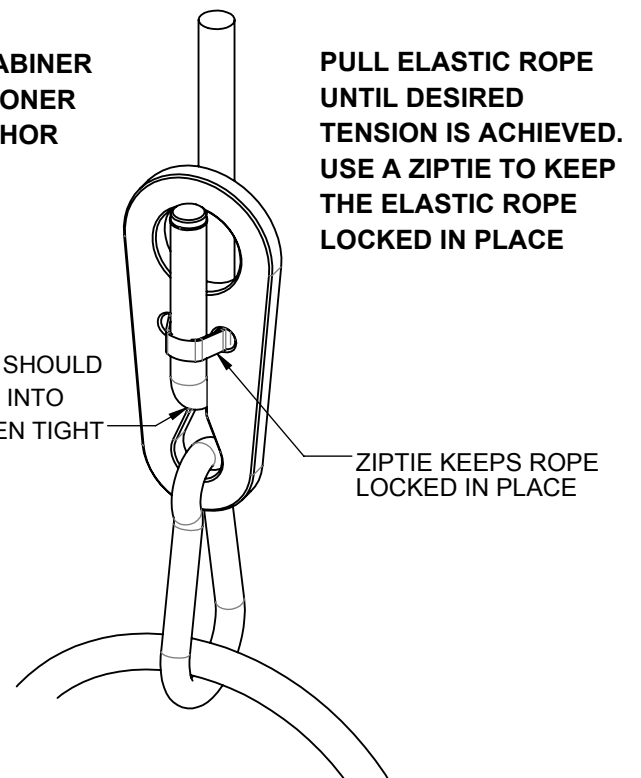
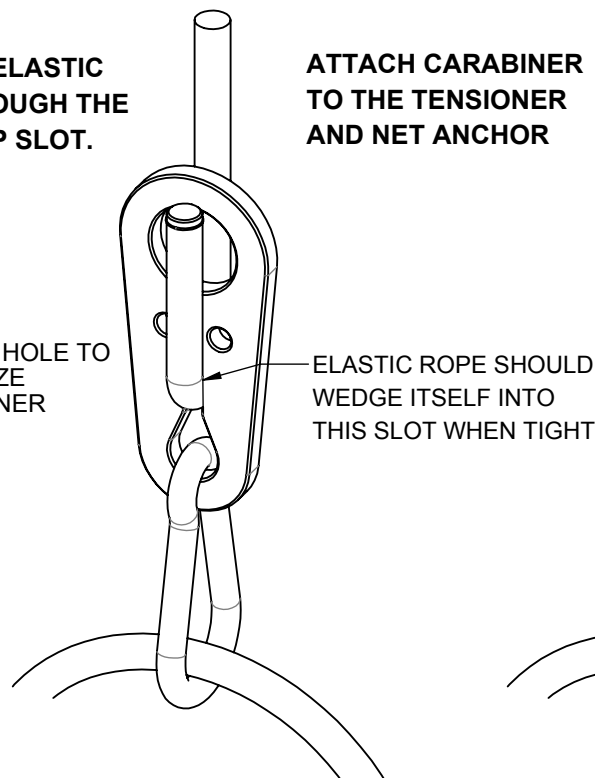
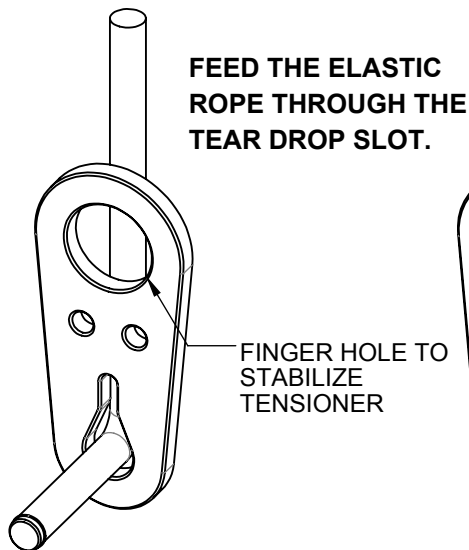
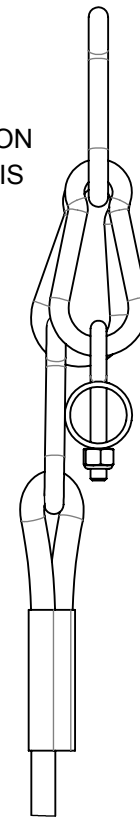
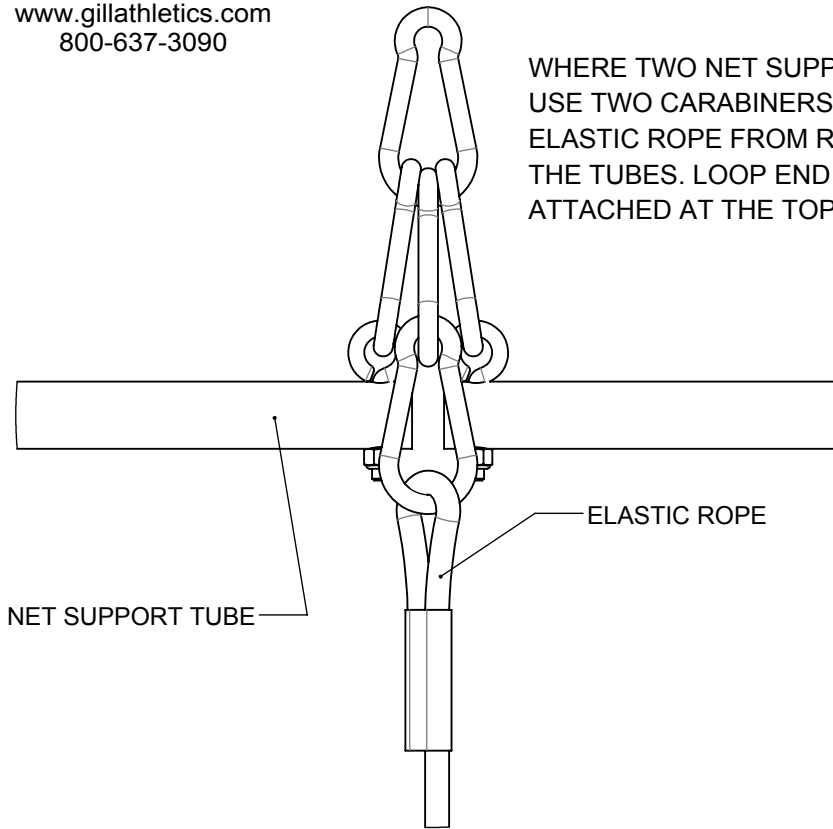


INSTALL EYE BOLTS IN THE NET SUPPORT TUBES.



- RAISE THE NET ABOUT SIX FEET.
- ATTACH THE ELASTIC NET RETAINING ROPES TO THE HOIST ROPE. (SEE TOP OF PAGE 18)
- WHILE RAISING THE NET, WEAVE THE ELASTIC NET RETAINING ROPES THROUGH THE NET.
- ATTACH THE ELASTIC NET RETAINING ROPES TO THE NET ANCHORS. (SEE BOTTOM OF PAGE 18)

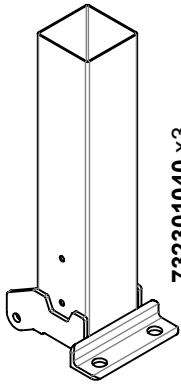




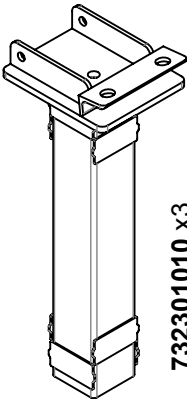


www.gillathletics.com
800-637-3090

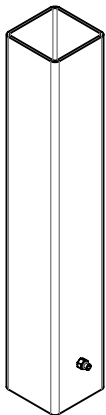
732301 - APOLLO DISCUS CAGE INSTRUCTIONS



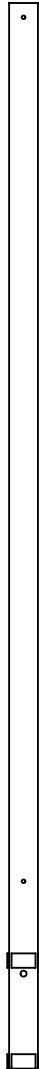
732301040 x3
HINGE SOCKET WELDMENT



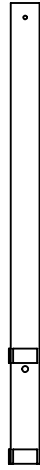
732301010 x3
SPIGOT WELDMENT



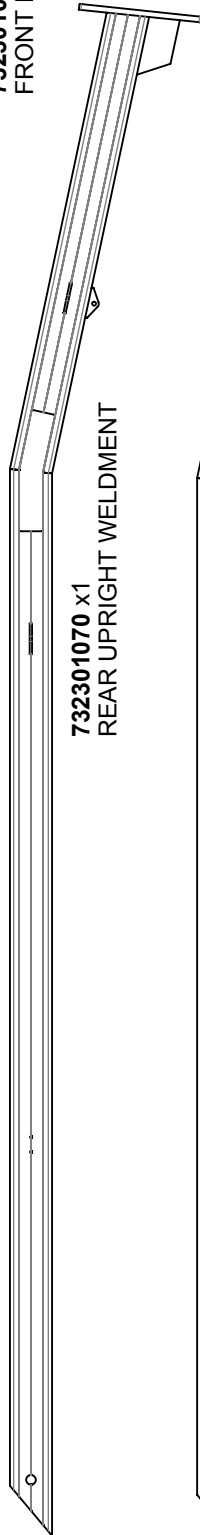
732301020 x3
GROUND SLEEVE ASSEMBLY



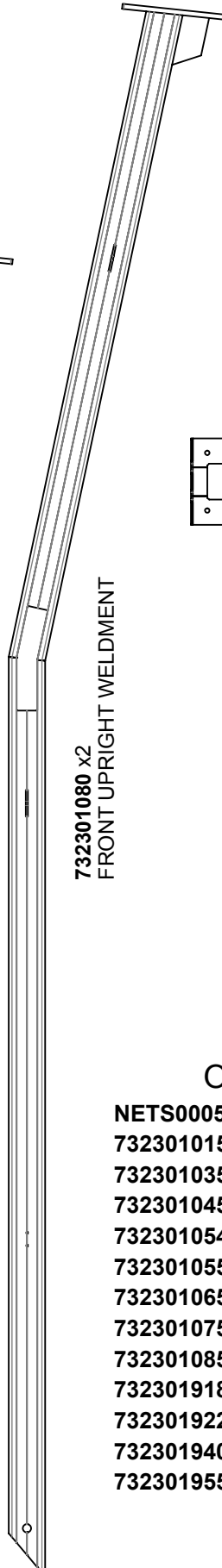
732301050 x2
REAR EXTENSION ARM



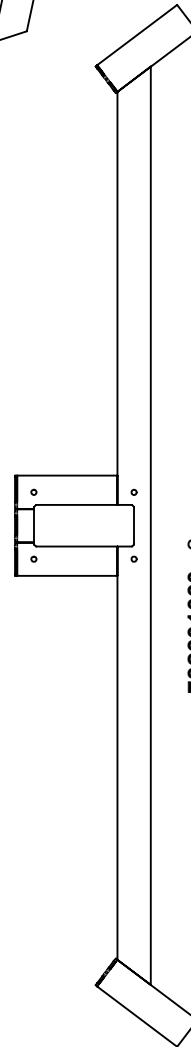
732301060 x4
FRONT EXTENSION ARM



732301070 x1
REAR UPRIGHT WELDMENT



732301080 x2
FRONT UPRIGHT WELDMENT



732301030 x3
SPREADER WELDMENT



732301051 x2 NET SUPPORT TUBE



732301052 x1 NET SUPPORT TUBE



732301053 x2 NET SUPPORT TUBE

OTHER PARTS:

- NETS00059** x1 - APOLLO NET
- 732301015** x1 - NET ANCHOR HDWE
- 732301035** x3 - SPREADER HDWE
- 732301045** x3 - HINGE SOCKET HDWE
- 732301054** x1 - NET SUPPORT HDWE
- 732301055** x1 - REAR PULLEY HDWE
- 732301065** x2 - FRONT PULLEY HDWE
- 732301075** x1 - REAR UPRIGHT HDWE
- 732301085** x2 - FRONT UPRIGHT HDWE
- 732301918** x4 - ELASTIC CORD; 218"
- 732301922** x4 - ELASTIC CORD; 248"
- 732301940** x2 - 40' ROPE
- 732301955** x2 - 55' ROPE