



www.gillathletics.com  
800-637-3090

# NOTICE

**The proper process for ordering sand pit covers for new construction is as follows:**

1. Install the sand pit using Gill sand pit forms or forming your own. Wait for the concrete to set and all backfill operations to be completed.
2. Measure the sand pit and fill out the 730148 - Dim Cert field check worksheet.
3. Submit field check to Gill Athletics. We will then produce sand pit covers to fit the dimensions provided.

This process ensures that covers will fit despite any manufacturing or installation variation.

# WARNING

**If you want to order sand pit covers prior to the sand pit being installed, you can do so, but Gill Athletics assumes NO responsibility for the covers fitting properly.**

To order covers prior to the sand pit being installation, you have the following options:

- If forming your own sand pit, submit a field check work sheet noting the size of the sand pit you plan to make
- If using a Gill sand pit form, order the corresponding cover, sized specifically to fit the Gill sand pit form you are using.

**SPECIFICATIONS**

The 730148 Long Jump & Triple Jump Sand Pit Cover is fabricated from 9 5/8" x 1 3/4" x 1/8" wall, extruded 6061-T6 aluminum seat plank. Three planks per panel are securely welded together in a frame of 2 3/8" x 1 1/2" x 3/16" aluminum angle. Each panel comes with four retractable handles for easy installation and removal. A 2" wide supporting

recess is required on each side wall for the panels. This recess is not required on the end walls. Manufacture commences only upon receipt of form 730148-2. A typical sand pit requires 10-11 cover panels. A sand trap cover system is shown to the right of the aluminum covers.



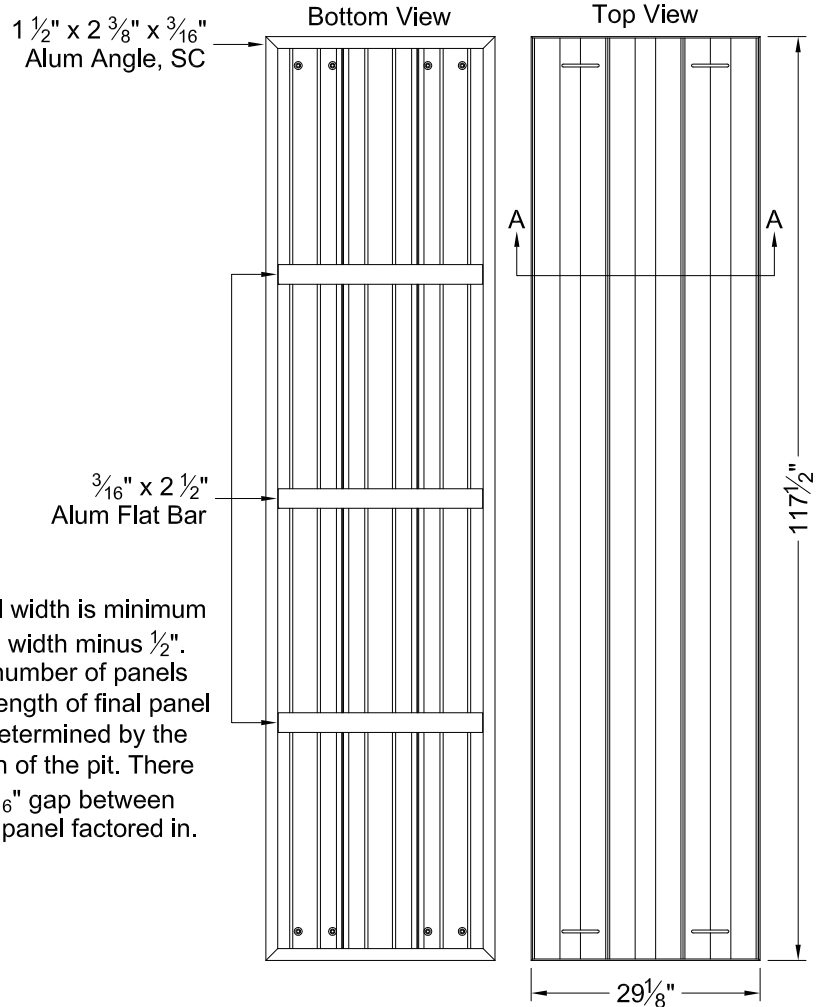
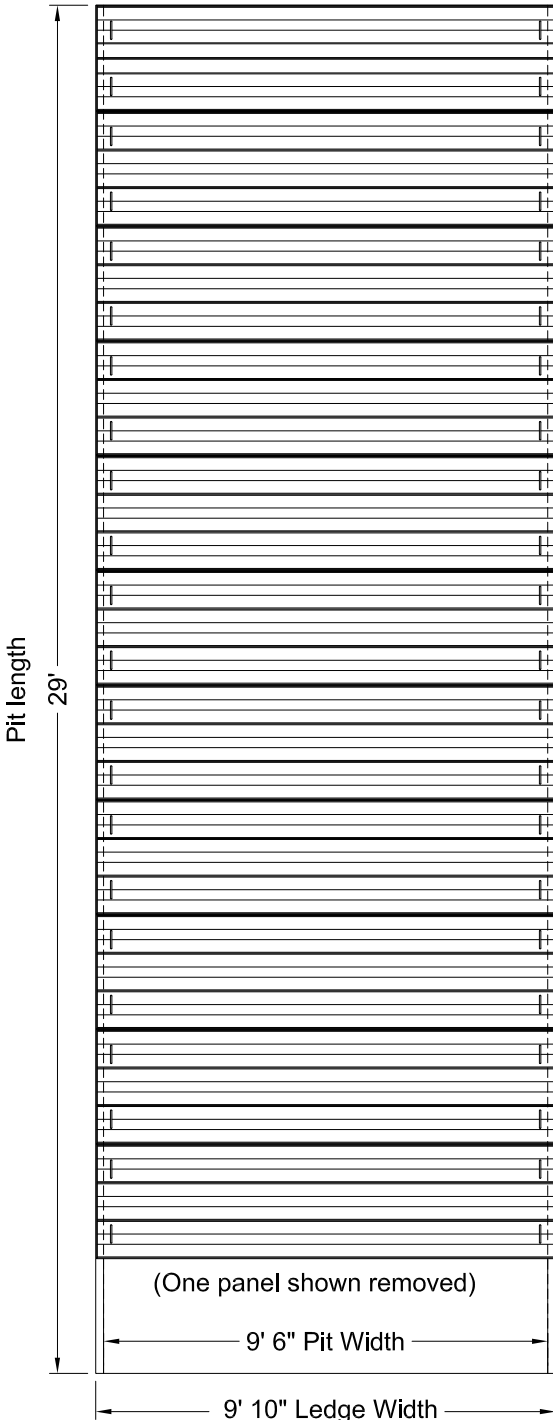


www.gillathletics.com  
800-637-3090

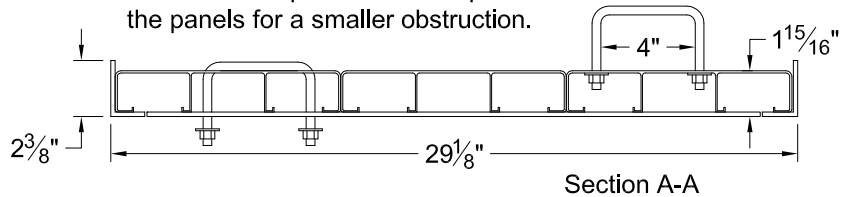
# LONG JUMP / TRIPLE JUMP ALUMINUM SAND PIT COVER TRACK SURFACE VERSION - 730148

NOTE: The sand pit dimensions shown below are typical. The dimensions of your pits and the covers to fit them may vary.

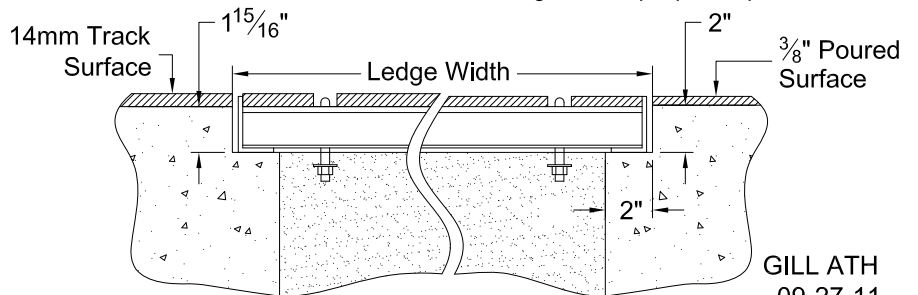
Constructed of  $9\frac{1}{2}" \times 1\frac{3}{4}" \times \frac{1}{8}"$  aluminum planking, cross braced with  $\frac{3}{16}" \times 2\frac{1}{2}"$  aluminum flat bar, and framed with  $1\frac{1}{2}" \times 2\frac{3}{8}" \times \frac{3}{16}"$  aluminum angle.



Four handles per panel for moving the panels to and from the sand pit. Handles drop into the panels for a smaller obstruction.



Each panel is recessed to receive synthetic track surface. The ledge depth is dependent on the thickness and type of track surface to be applied. Contractors should take care to set the ledge at the proper depth.



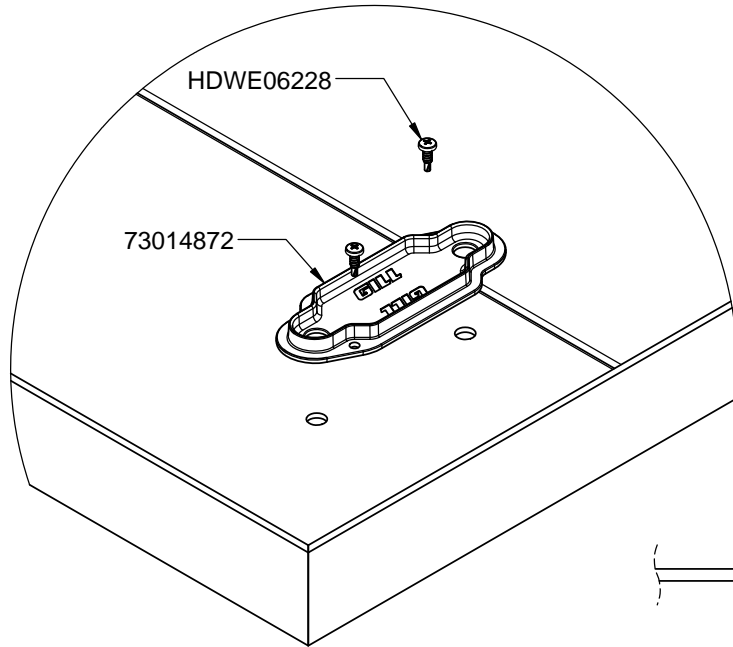
GILL ATH  
09-27-11

730148 Spec



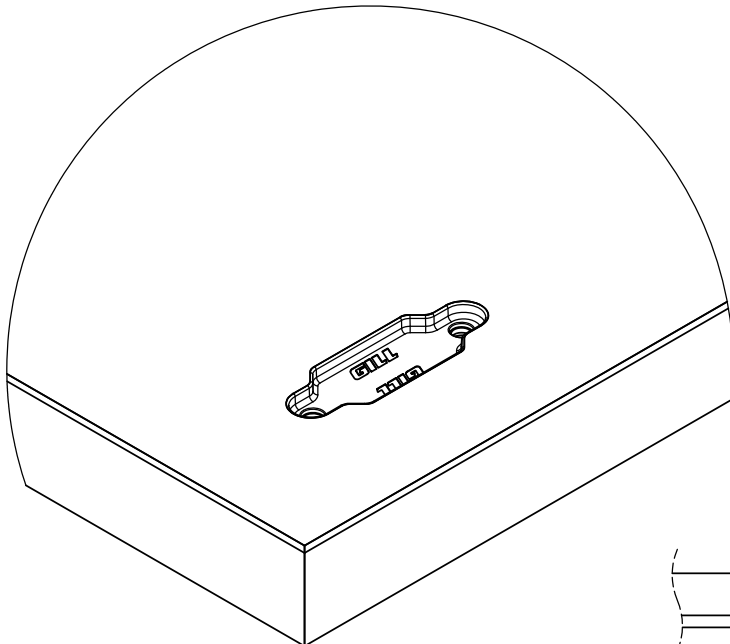
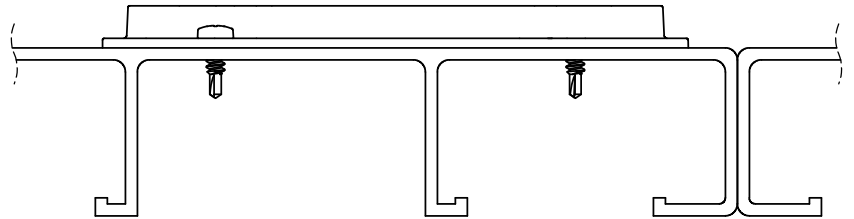
www.gillathletics.com  
800-637-3090

## 73014872 - HANDLE POCKET FORM INSTRUCTIONS



**NOTE:** This is for use with poured track surfacing. If using roll out track surfacing, discard the handle pocket forms. Cut rectangles out of the track surface where the handle are.

Line up the holes in the handle pocket form with the holes in the panel. Fasten the form in place with two screws.



Pour track surface onto the panel up to the top of the forms. Keep track surfacing out of the handle pocket forms.

Install handles.

